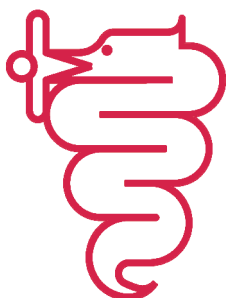


# ELLISSE AL-EBBIS AL from 2006

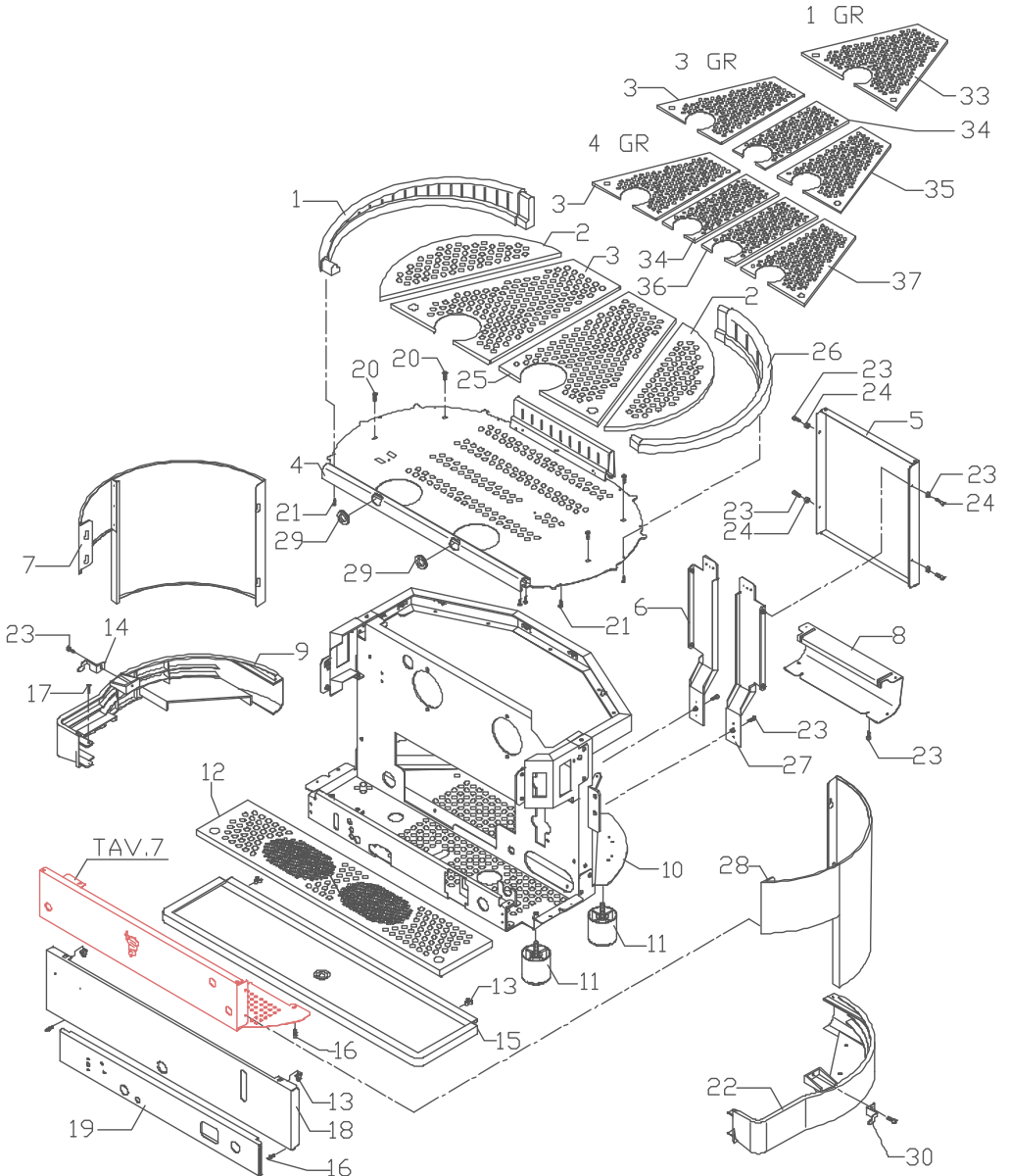


**BEZZERA**

Dal 1901

	<b>POS</b>	<b>CODE</b>	<b>DESCRIPTION</b>
<b>TABLE 1</b>	1	5375108	LEFT CUPS-HEATER FRAME BLUE
	1	5375107	LEFT CUPS-HEATER FRAME GREY
	2	5074501LW	LATERAL CUPS-HEATER GRID 1-2-3-4 GR
	3	5074574LW	CENTRAL LEFT CUPS-HEATER GRID 2-3-4GR
	4	5343024	ASSEMBLY CUPS-HEATER 1GR GOLD (up to 31.12.11)
	4	5343024.01	ASSEMBLY CUPS-HEATER 1GR PAINTED GOLD (from 01.01.12)
	4	5343023	ASSEMBLY CUPS-HEATER 1GR STAINLESS STEEL
	4	5343026	ASSEMBLY CUPS-HEATER 2GR GOLD (up to 31.12.11)
	4	5343026.01	ASSEMBLY CUPS-HEATER 2GR PAINTED GOLD (from 01.01.12)
	4	5343025	ASSEMBLY CUPS-HEATER 2GR STAINLESS STEEL
	4	5343028	ASSEMBLY CUPS-HEATER 3GR GOLD (up to 31.12.11)
	4	5343028.01	ASSEMBLY CUPS-HEATER 3GR PAINTED GOLD (from 01.01.12)
	4	5343027	ASSEMBLY CUPS-HEATER 3GR STAINLESS STEEL
	4	5343030	ASSEMBLY CUPS-HEATER 4GR GOLD (up to 31.12.11)
	4	5343030.01	ASSEMBLY CUPS-HEATER 4GR PAINTED GOLD (from 01.01.12)
	4	5343029	ASSEMBLY CUPS-HEATER 4GR STAINLESS STEEL
	5	5095101DT	REAR PANEL 1GR GOLD (up to 31.12.11)
	5	5095101VO	REAR PANEL 1GR PAINTED GOLD (from 01.01.12)
	5	5095101LW	REAR PANEL 1GR STAINLESS STEEL SATINED
	5	5095101VT	REAR PANEL 1GR RED RAL 3000
	5	5095102DT	REAR PANEL 2GR GOLD (up to 31.12.11)
	5	5095102VO	REAR PANEL 2GR PAINTED GOLD (from 01.01.12)
	5	5095102LW	REAR PANEL 2GR STAINLESS STEEL SATINED
	5	5095102VT	REAR PANEL 2GR RED RAL 3000
	5	5095103DT	REAR PANEL 3GR GOLD (up to 31.12.11)
	5	5095103VO	REAR PANEL 3GR PAINTED GOLD (from 01.01.12)
	5	5095103LW	REAR PANEL 3GR STAINLESS STEEL SATINED
	5	5095103VT	REAR PANEL 3GR RED RAL 3000
	5	5095185LW	REAR PANEL 4GR STAINLESS STEEL SATINED
	5	5095185DT	REAR PANEL 4GR GOLD (up to 31.12.11)
	5	5095185VO	REAR PANEL 4GR PAINTED GOLD (from 01.01.12)
	5	5095185VT	REAR PANEL 4GR RED RAL 3000
	6	5018101LL	REAR BRACKET 1GR
6	5018103LL	REAR LEFT BRACKET 2-3-4GR	
7	5343002DT	ASSEMBLY LEFT LATERAL SIDE GOLD (up to 31.12.11)	
7	5343002VO	ASSEMBLY LEFT LATERAL SIDE PAINTED GOLD (from 01.01.12)	
7	5343002.01	ASSEMBLY LEFT LATERAL SIDE STAINLESS STEEL SATINED	
7	5343002VT	ASSEMBLY LEFT LATERAL SIDE RED RAL 3000	
8	5099001LW	CENTRAL SOCLE 1GR	
8	5099001DT	CENTRAL SOCLE 1GR GOLD (up to 31.12.11)	
8	5099001VO	CENTRAL SOCLE 1GR PAINTED GOLD (from 01.01.12)	
8	5099002LW	CENTRAL SOCLE 2GR	
8	5099002DT	CENTRAL SOCLE 2GR GOLD (up to 31.12.11)	
8	5099002VO	CENTRAL SOCLE 2GR PAINTED GOLD (from 01.01.12)	
8	5099003LW	CENTRAL SOCLE 3GR	
8	5099003DT	CENTRAL SOCLE 3GR GOLD (up to 31.12.11)	

**TABLE 1**



	<b>POS</b>	<b>CODE</b>	<b>DESCRIPTION</b>
<b>TABLE 1</b>	8	5099003VO	CENTRAL SOCLE 3GR PAINTED GOLD (from 01.01.12)
	8	5099004LW	CENTRAL SOCLE 4GR
	8	5099004DT	CENTRAL SOCLE 4GR GOLD (up to 31.12.11)
	8	5099004VO	CENTRAL SOCLE 4GR PAINTED GOLD (from 01.01.12)
	9	5375104	LEFT SOCLE BLUE
	9	5375103	LEFT SOCLE GREY
	10	5964550	ASSEMBLY CHASSIS 1GR
	10	5964551	ASSEMBLY CHASSIS 2GR
	10	5964552	ASSEMBLY CHASSIS 3GR
	10	5964553	ASSEMBLY CHASSIS 4GR
	11	7474208	FEET D60 X 60 SHANK M8 X 20 BLUE
	11	7474207	FEET D60 X 60 SHANK M8 X 20 GREY
	12	5094501LW	DRIP TRAY GRID 1GR
	12	5094502LW	DRIP TRAY GRID 2GR
	12	5094503LW	DRIP TRAY GRID 3GR
	12	5094525LW	DRIP TRAY GRID 4GR
	13	5471533	SHAPED SPRING
	14	5037806LW	SQUARE FOR LEFT PANEL SUPPORT
	15	5070602DL	DRIP TRAY 1GR. POLISHED
	15	5070603DL	DRIP TRAY 2GR. POLISHED
	15	5070604DL	DRIP TRAY 3GR. POLISHED
	15	5070629DL	DRIP TRAY 4GR. POLISHED
	16	5244008NC	STUD M4X22.6 AVP NICHEL-PLATED
	17	7818002	TAPPING SCREW TB D2.9 X 9.5 UNI 6954 A2
	18	5094355LW	GROUP FRONTAL 1GR
	18	5094332LW	GROUP FRONTAL 2GR
	18	5094337LW	GROUP FRONTAL 3GR
	18	5094338LW	GROUP FRONTAL 4GR
	19	5094354SG	BASEMENT FRONTAL 1GR GREY
	19	5094333SG	BASEMENT FRONTAL 2GR GREY
	19	5094335SG	BASEMENT FRONTAL 3GR GREY
	19	5094340SG	BASEMENT FRONTAL 4GR GREY
	20	7817801	SCREW TPS M4 X 16
	21	7809801	SCREW TC M3X10
	22	5375102	RIGHT SOCLE BLUE
	22	5375101	RIGHT SOCLE GREY
	23	7816002	SCREW TCEI M4X12
	24	5220802	BUSHING D10 X 4.2 OT
	25	5074573LW	RIGHT CUPS-HEATER GRID 2GR
	26	5375106	RIGHT CUPS-HEATER FRAME BLUE
26	5375105	RIGHT CUPS-HEATER FRAME GREY	
27	5018102LL	REAR RIGHT BRACKET 2-3-4GR	
28	5343001DT	ASSEMBLY RIGHT LATERAL SIDE GOLD (up to 31.12.11)	
28	5343001VO	ASSEMBLY RIGHT LATERAL SIDE PAINTED GOLD (from 01.01.12)	
28	5343001.01	ASSEMBLY RIGHT LATERAL SIDE STAINLESS STEEL SATINED	
28	5343001VT	ASSEMBLY RIGHT LATERAL SIDE RED RAL 3000	

**TABLE 1**

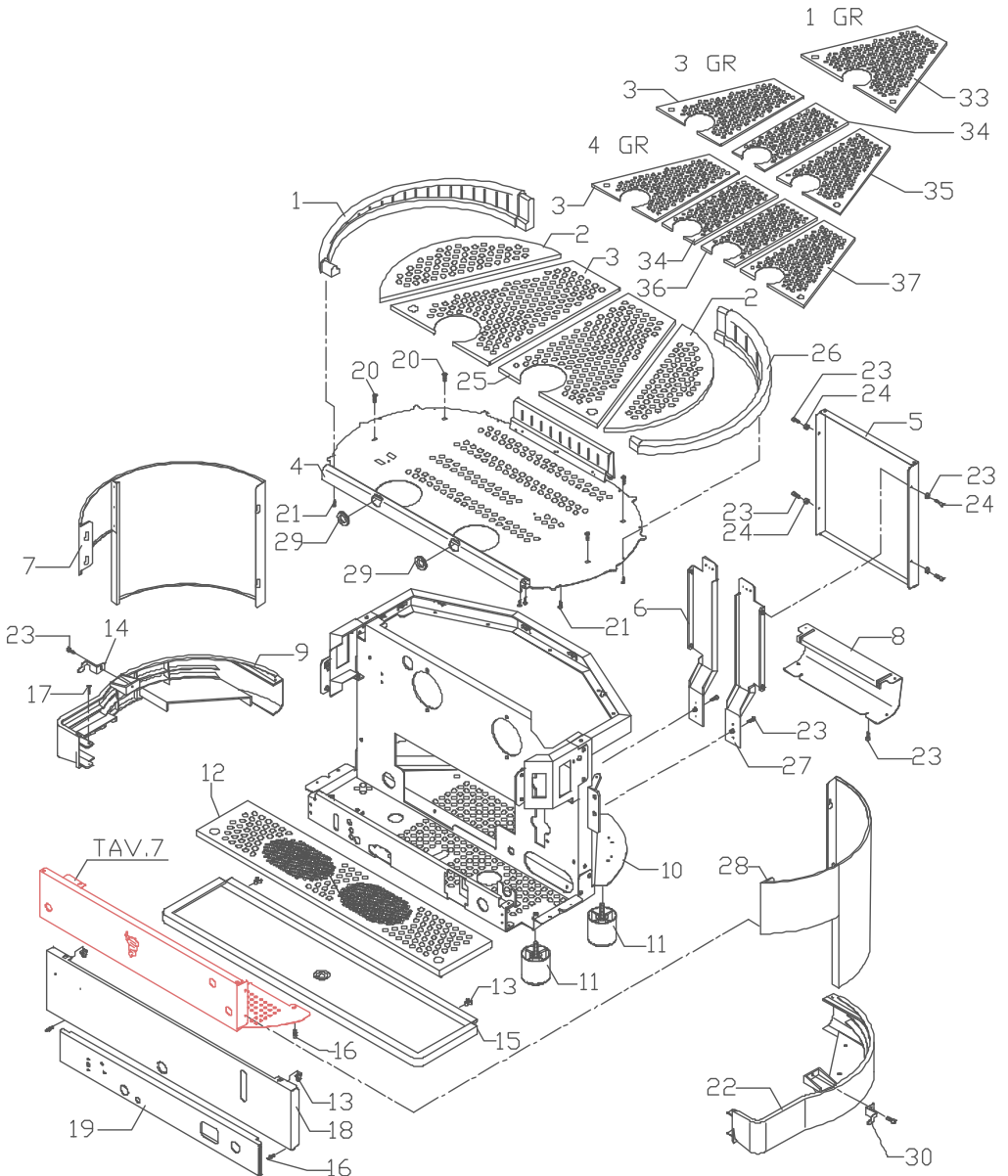




TABLE 1

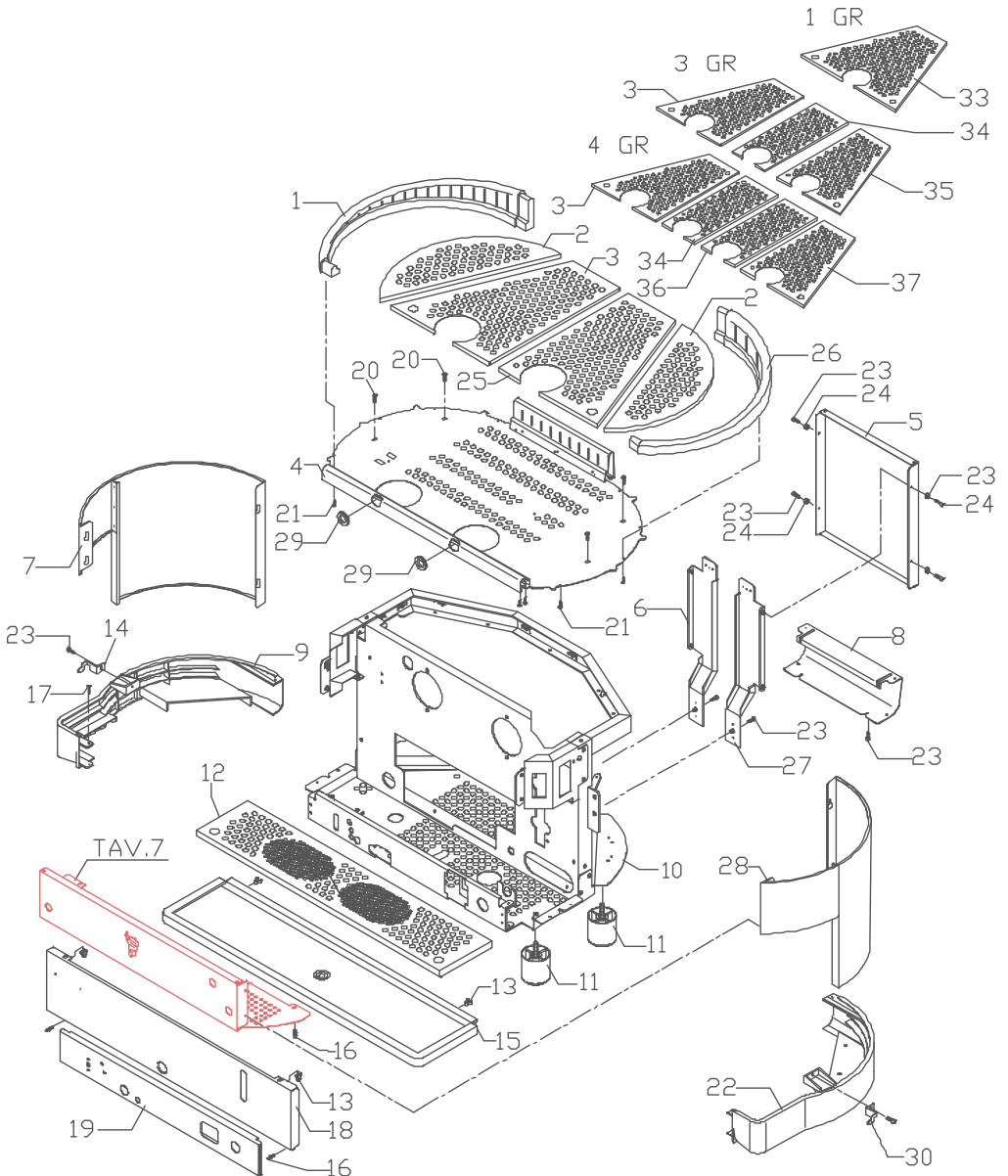
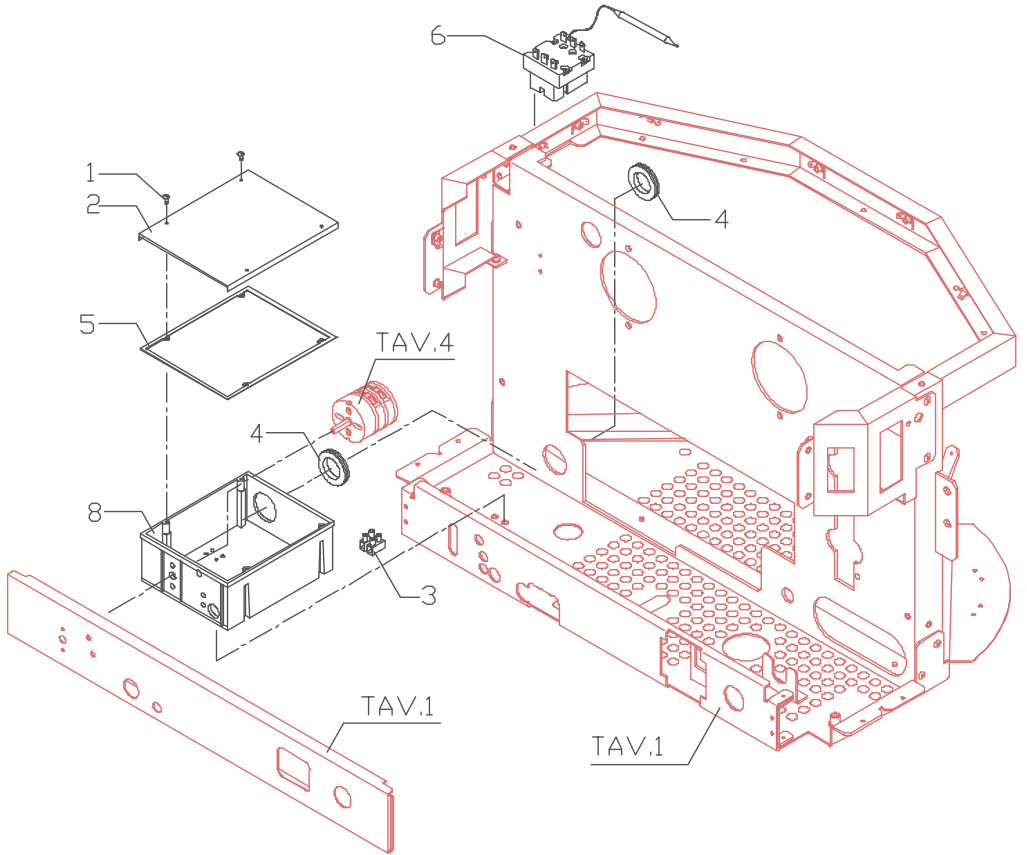




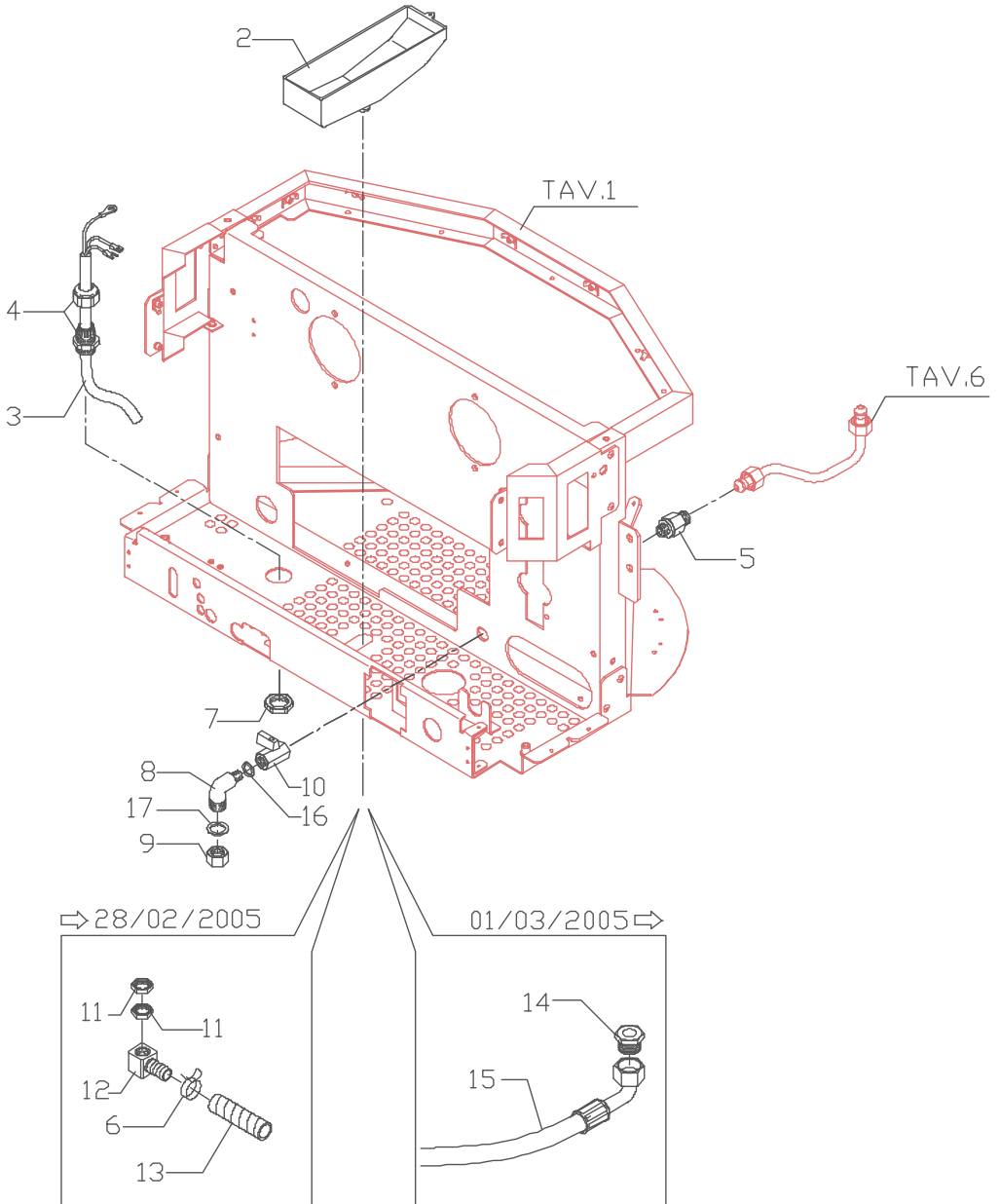


TABLE 2



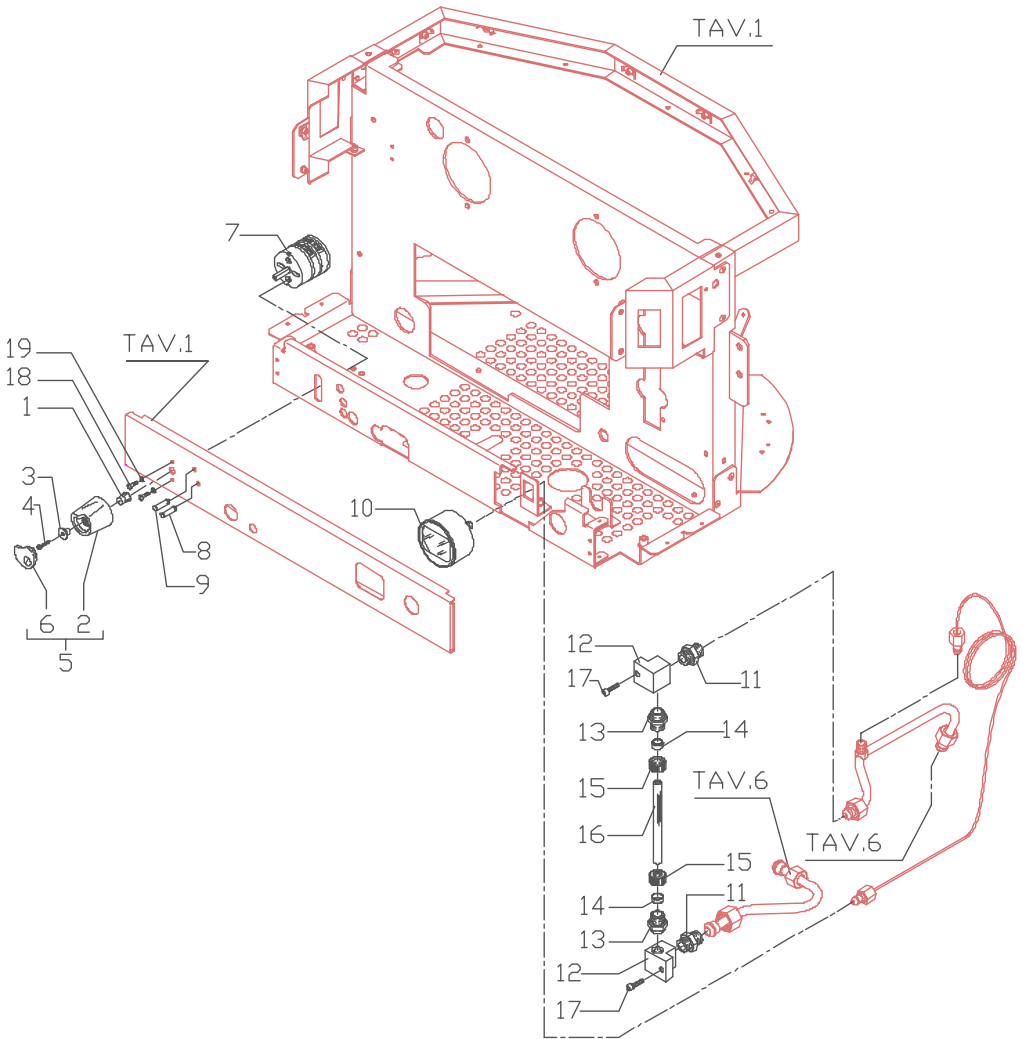
	<b>POS</b>	<b>CODE</b>	<b>DESCRIPTION</b>
<b>TABLE 3</b>	2	5374501.01	DRIP TRAY
	3	3553902	CONNEC.CABLE H07RNF 5X2,5MM ^ 2 L=3MT(3-4GR CONTROL D 380-230/400V)
	3	3553904.01	CONNECTING CABLE 5X2,5 MM ^ 2 L=2,2MT (1-2-3-4GR 380-230/400V)
	3	3552404.01	CONNECTING CABLE H07RNF 3X2,5 MM ^ 2 L=2MT (1-2GR 220V-240V)
	3	3552703.01	CONNECTING CABLE H07RNF 3X4 MM ^ 2 L=3MT (3-4GR 220V-240V)
	3	3556003	CABLE SOOW 3X10AWG L=2,2MT (110V-220V USA)
	3	3551501	CONNECTING CABLE SOOW 3X12 AWG L=2MT (1GR 110V-220V USA)
	4	7614001	CABLE-PRESS PG16 POLYAMIDE
	4	7614002	CABLE-PRESS PG21 POLYAMIDE
	5	5225201	STRAIGHT FITTING 1/4" X 3/8"G OT
	6	7611501	CLAMP D22 FE (up to 28/02/05)
	7	7614003	NUT PG16 POLYAMIDE
	7	7614004	NUT PG21 POLYAMIDE
	8	5301501TR	UNION ELBOW 1/4"G X 3/8"G OT
	9	5221819	CAP NUT 3/8"G
	10	7451501	BALL COCK FF 1/4"G
	11	5221826	NUT 3/8"G ES.22 H5 OT (up to 28/02/05)
12	5224410	RUBBER-HOLDER D16.5 (up to 28/02/05)	
13	7303501	HOSE D22 L=2MT PLASTIC (up to 28/02/05)	
14	5225294	UNION M/F 3/4X3/8 (from 01/03/05)	
15	7303503	HOSE D12.7X18.8 3/4FC L=200CM (from 01/03/05)	
16	5495005	GASKET D13.5X18X2 BRASS	
17	5492011	GASKET D15X3	

TABLE 3



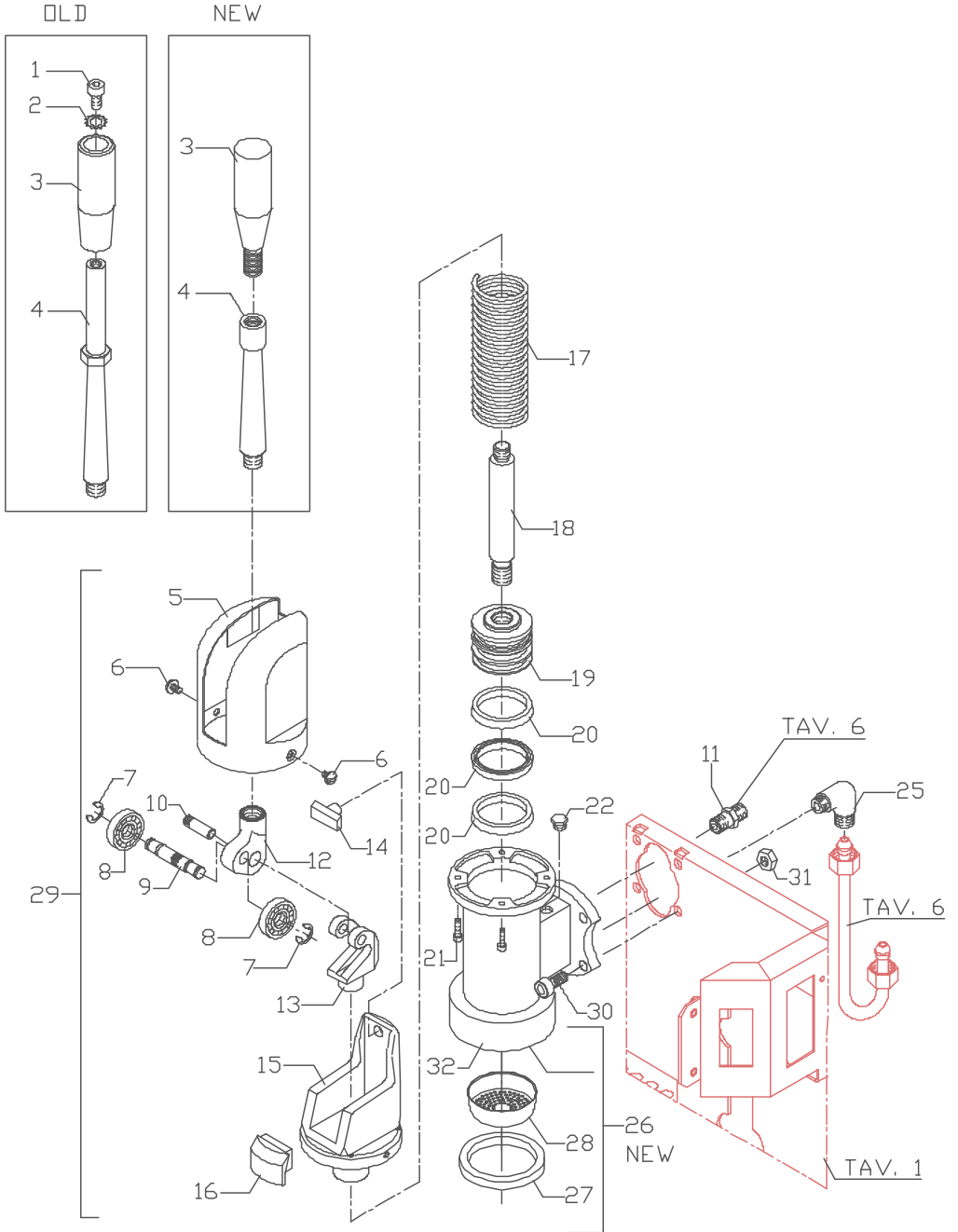
	<b>POS</b>	<b>CODE</b>	<b>DESCRIPTION</b>
<b>TABLE 4</b>	1	5371301	INSERT WITH A SQUARE HOLE (up to 31.07.10)
	1	7473034	INSERT NEW WITH A MILLED HOLE (from 01.08.10)
	2	5371807	SWITCH KNOB D42 BLUE
	2	5371806	SWITCH KNOB D42 GREY
	3	5220803	SLEEVE D15X3 H9.5
	4	7809802	SCREW TC M3X25
	5	5973026	COMPLETE SWITCH KNOB BLUE
	5	5973025	COMPLETE KNOB GREY
	6	5373912	SHAPED PLUG BLUE
	6	5373911	SHAPED PLUG GREY
	7	7633334R	BASEMENT SWITCH 1 POS.25A
	7	7633301.01	SWITCH 2 POSITIONS 4 CONTACTS
	7	7633302.01	SWITCH 2 POSITIONS 6 CONTACTS
	8	7633604.01	ORANGE LAMP 110/240V
	9	7633602.01	GREEN LAMP 110/240V
	10	7432513	PRESSURE GAUGE D60 3 BAR
	11	5302011	STRAIGHT FITTING 3/8"G
	12	5225275	GLASS LEVEL FITTING 30 X 30 X 35 OT
	13	5225204	STRAIGHT FITTING 3/8"G ES.22 H23 OT
14	5493004	GASKET D14.5 X 10 X 7 RUBBER 75SH	
15	5221836	RING NUT 3/8"G D20 H11 OT	
16	5430505	LEVEL HOSE D10 X 2.2 L= 120 PIREX	
17	7816005	SCREW TCEI M4X20	
18	7630901	SCREW TCI M3.5X15	
19	7813801	WASHER Ø 4	

TABLE 4



	<b>POS</b>	<b>CODE</b>	<b>DESCRIPTION</b>
<b>TABLE 5</b>	1	7806013	SCREW TCEI M8X16 UNI 5931 8.8 (OLD)
	2	7804001	FAN WASHER D10 R150 ZINC PLATED (OLD)
	3	5371808	KNOB D30 (OLD)
	3	5963016	ASSEMBLY HANDLE ABS BLUE
	3	5963013	ASSEMBLY HANDLE ABS GREY
	4	5263201CM	LEVER L=235 MM ES.22 AVP CHROMED (OLD)
	4	5263202CM	CHROMED LEVER (NEW)
	5	5370602	LEVER GROUP CAP BLUE
	5	5370603	LEVER GROUP CAP GREY
	6	7817401	SCREW TCS M5X8 DIN 964 A2
	7	7800601	RING D9 UNI 7434 R150
	8	7471801	BALL BEARING D35 X 10 X 11
	9	5244006	STUD D11 X 61 PR80
	10	5244007CN	STUD D9 X 29 CARBONITRIDED
	11	5302001	STRAIGHT FITTING 1/4"G X M13 OT
	12	5287003NC	ARTICULATION M16 OT NICKEL-PLATED
	13	5284501.01NC	GROUP FORK OT NICKEL-PLATED
	14	5473001	UPPER VIBRATION DAMPER
	15	5287502.01	BEARING SLIDE HEAD OT
	16	5473002.01	BOTTOM VIBRATION DAMPER
	17	5471537	SPRING D46 X 130 INOX
	18	5260201	SHAFT D20X 139 AISI 303
	19	5224201	PISTON D50 OT
	20	7491001	LIP SEAL D51 X 41 X 8 NBR 75SH
	21	7816004	SCREW TCEI M4 X 16
	22	5226402CM	PLUG 1/8"G OT CHROMED
	25	5301501TR	UNION ELBOW 1/4"G X 3/8"G OT
	26	5283009.01R	LEVER GROUP BODY OT CHROMED+GASKET+SHOWER (from 25.05.06)
	27	7496011	OR GASKET 160 NBR 75SH (up to 24.05.2006) (OLD)
	27	7496029	OR GASKET 160 VITON 80SH (up to 24.05.2006) (OLD)
	27	7493008	CONIC GASKET H 9.3 NBR 90SH (from 25.02.06) (NEW)
	28	5470502	SHOWER D60 AISI 304 (up to 24.05.2006) (OLD)
28	5470512	SHOWER D58X19 AISI 304 (from 25.05.2006) (NEW)	
29	5963550.03	ASSEMBLY GROUP WITHOUT LEVER BLUE	
29	5963551.02	ASSEMBLY GROUP WITHOUT LEVER GREY	
30	7816015	SCREW TCEI M8X25 UNI 5931 A2	
31	7821401	NUT M8 UNI 5587 OT	
32	5283009.01TW	GROUP BODY CHROMED (from 25.05.06)	

**TABLE 5**

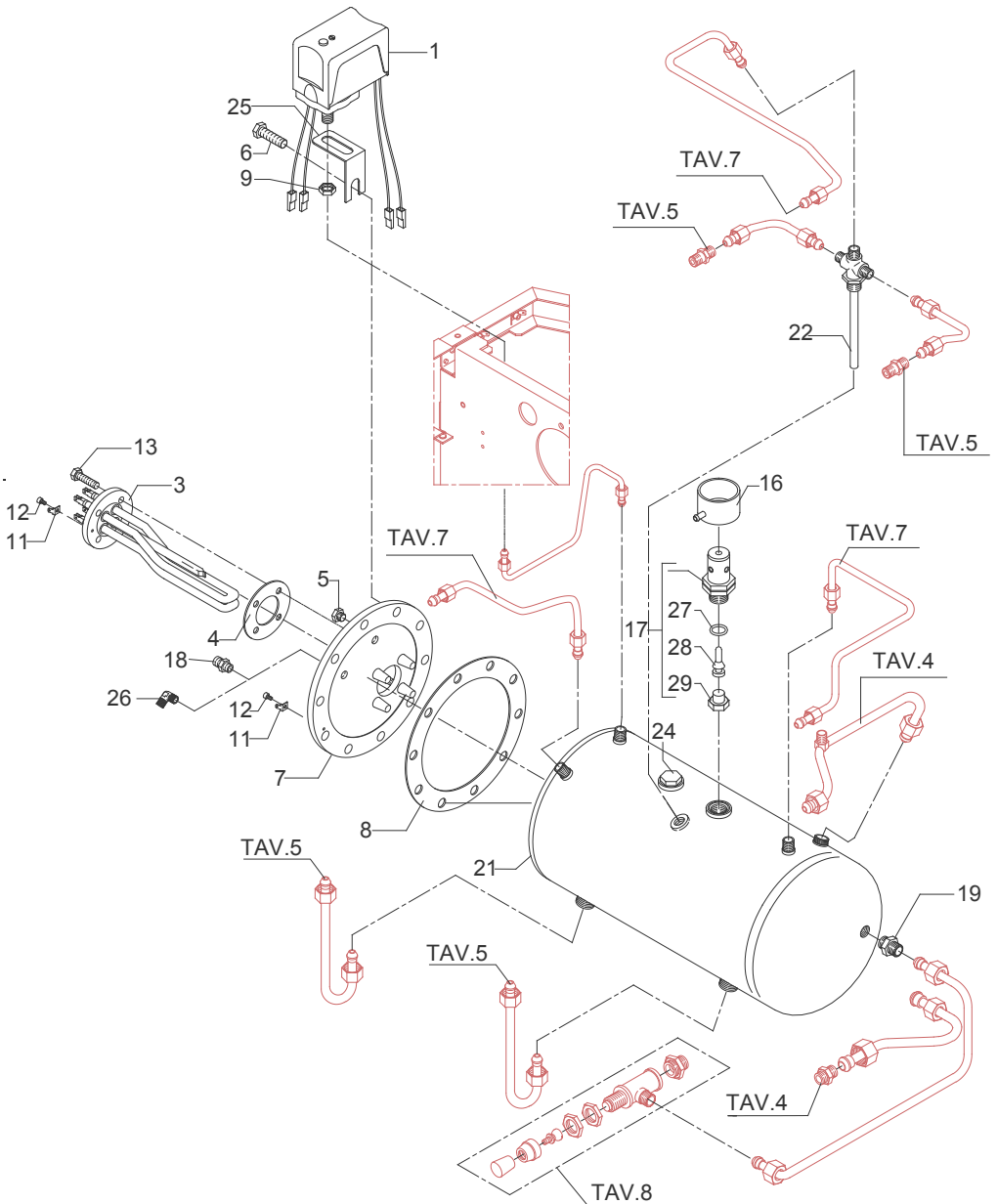




	<b>POS</b>	<b>CODE</b>	<b>DESCRIPTION</b>
<b>TABLE 6</b>	1	7433001	PRESSOSTAT SIRAI P302/6 (2-3-4GR 110V - 3-4GR 220/400V)
	1	7433024	PRESSOSTAT SIRAI P303T01 (1GR 110V - 1-2GR 220/400V)
	3	5722249R	HEATING ELEMENT 1GR 1400W 110/120V (up to 19.07.08)
	3	5722249	HEATING ELEMENT 1GR 1400W 110/120V (from 20.07.08) (STANDARD)
	3	5722241R	HEATING ELEMENT 1GR 2000W 220/240V (up to 04.10.06)
	3	5722241	HEATING ELEMENT 1GR 1850/2200W 220/240V (from 05.10.06) (STANDARD)
	3	5722248	HEATING ELEMENT 2GR 220V 4500W
	3	5721131	HEATING ELEMENT 2GR 2600W 110/120V (STANDARD)
	3	5722246	HEATING ELEMENT 2GR 3200/3800W 220/240V
	3	5722242	HEATING ELEMENT 2GR 2750/3300W 220/240V (STANDARD)
	3	5721132	HEATING ELEMENT 3-4GR 3000W 110/120V (STANDARD)
	3	5722233	HEATING ELEMENT 3-4GR 6000W 220V
	3	5722243	HEATING ELEMENT 3-4GR 4600/5450W 220/240V (STANDARD)
	4	5492006	GASKET D76 X 39 X 2 ASBESTOS FREE
	5	5226404	PLUG M10 H12 OT
	6	7816424	SCREW TE M10X18 DIN 933 A2
	7	5283502R	BOILER FLANDE D205 OT
	8	5492005	GASKET D203 X 151 X 2 ASBESTOS FREE
	9	5221821	NUT 1/4"G H5 OT
	11	7615001	FASTON 45° HOLE D5.3
	12	7826212	SCREW TCI M4X6 UNI 6107 OT
	13	7816423	SCREW TE M8X18 DIN933 A2
	16	5963047	COMPLETE CUP
	17	5965015.03	ASSEMBLY SAFETY VALVE 1.5 BAR
	18	5302010	STRAIGHT FITTING M12 X M10 OT
	19	5302011	STRAIGHT FITTING 3/8"G
	21	5320517BL	ASSEMBLY BOILER 1GR. POLISHED
	21	5321017BL	ASSEMBLY BOILER 2GR. POLISHED
	21	5321517BL	ASSEMBLY BOILER 3GR. POLISHED
21	5322017BL	ASSEMBLY BOILER 4GR. POLISHED	
22	5301003LL	COMPLETE WATER SUCTION HOSE L=120MM	
24	5226406	PLUG 1/2"G H18 OT	
25	5037830LW	PRESSOSTAT SQUARE	
26	5301504TR	UNION ELBOW 1/8"G X M12	
27	7496090	GASKET	
28	5264017	STUD	
29	5226417	PLUG	



**TABLE 6**



**TABLE 6A (up to 31.08.10)**

<b>POS</b>	<b>CODE</b>	<b>DESCRIPTION</b>
1	5164032LL	BOILER LOAD HOSE
2	5300505	FITTING 3/8"G OT
3	5163282LL	OUTLET HOSE L/A
4	5302018	STRAIGHT FITTING M12 X M13 H26.5 OT
5	5471505	CALIBRATED SPRING D0.45 H22 AISI 302
6	5224615TP	GASKET-HOLDER
7	7496018	OR GASKET 105 VITON
8	5283042	CHECK VALVE BODY
9	5492008	GASKET D10.5 X 2
10	5221813	PLUG M12X1 OT
11	5965076	ASSEMBLY COMPLETE CHECK VALVE
12	5221858	WASHER D10.2X15X2.2 COPPER / ASBESTOS FREE
13	5225238	STRAIGHT FITTING M13 X 1/8"G
14	5223023	JET M6 X 6 HOLE D1,5 OT
15	5471019	FILTER D8,5
16	7701114	SOLENOID VALVE 2 WAY 110V PARKER
16	7702312	SOLENOID VALVE 2 WAY 220/240V PARKER
17	7630324	SOLENOID VALVE COIL 110V PARKER
17	7630325	SOLENOID VALVE COIL 220/240V PARKER
18	7703011	SOLENOID VALVE WITHOUT COIL PARKER
19	5162300LL	INLET AUTOMATIC LEVEL HOSE
20	5329009DC	ASSEMBLY PROBE-HOLDER
21	5225209TP	STRAIGHT FITTING 1/4"G X M10 OT
22	5192001	PROBE SHEATH D8 X 45 HOLE D3 PTFE
23	5225205	STRAIGHT FITTING M10 OT
24	5265804	LEVEL PROBE 1GR D3 X 110 X 6.3
25	7661039	LEVEL REGULATOR 1S 110V
25	7661040	LEVEL REGULATOR 1S 230V
25	7661041	LEVEL REGULATOR 1S 240V
26	7816005	SCREW TCEI M4X20

TABLE 6A (up to 31.08.10)

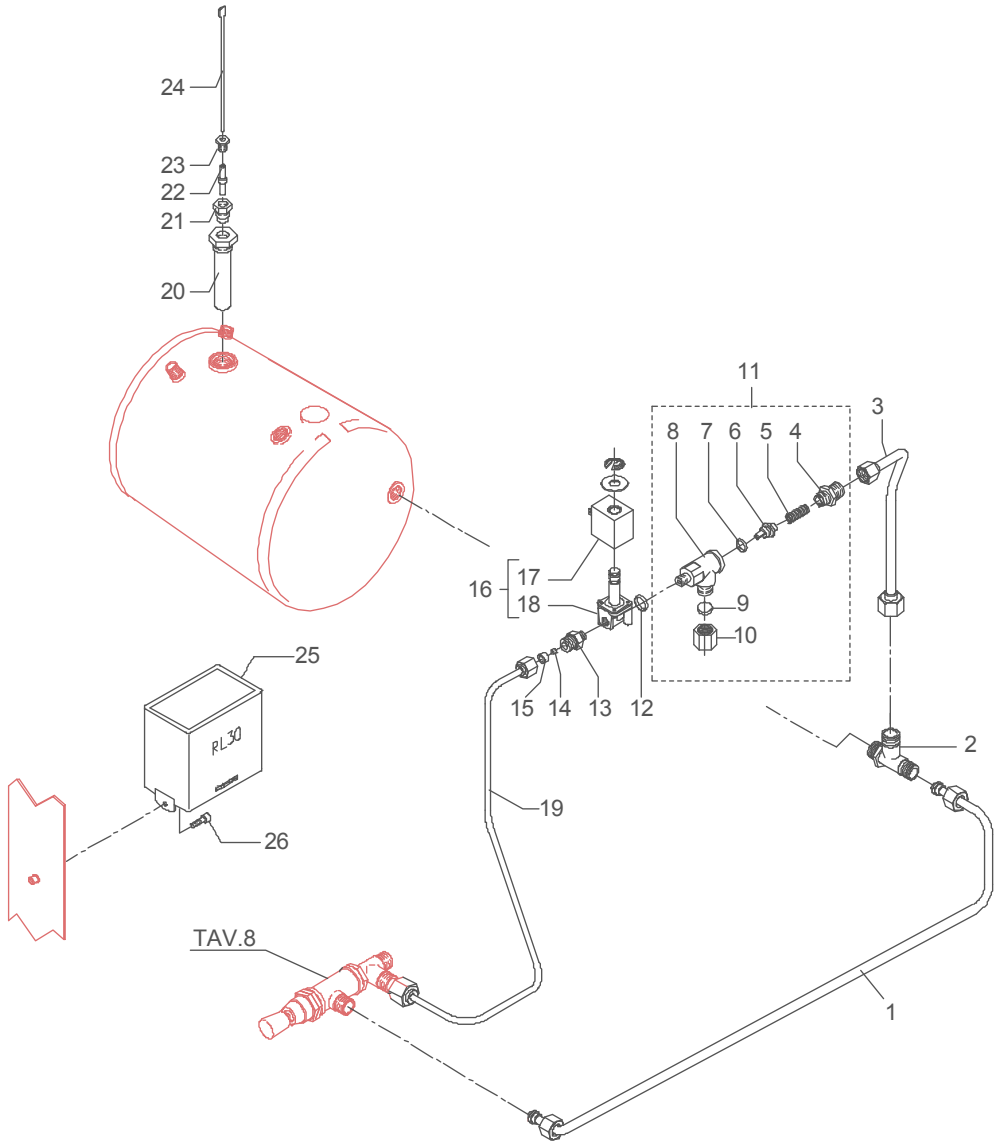




TABLE 6A (from 01.09.10)

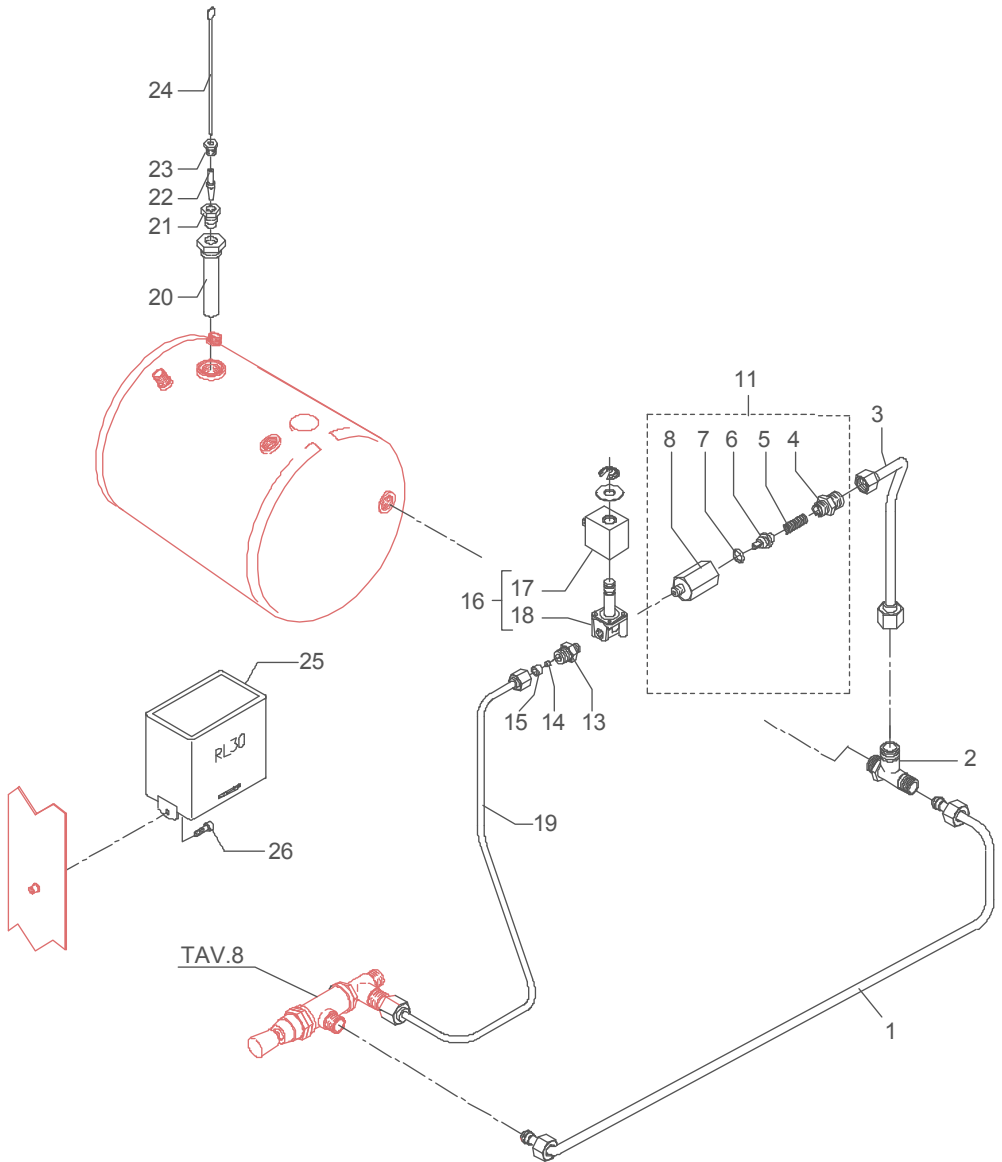




TABLE 7 (up to 15.07.09)

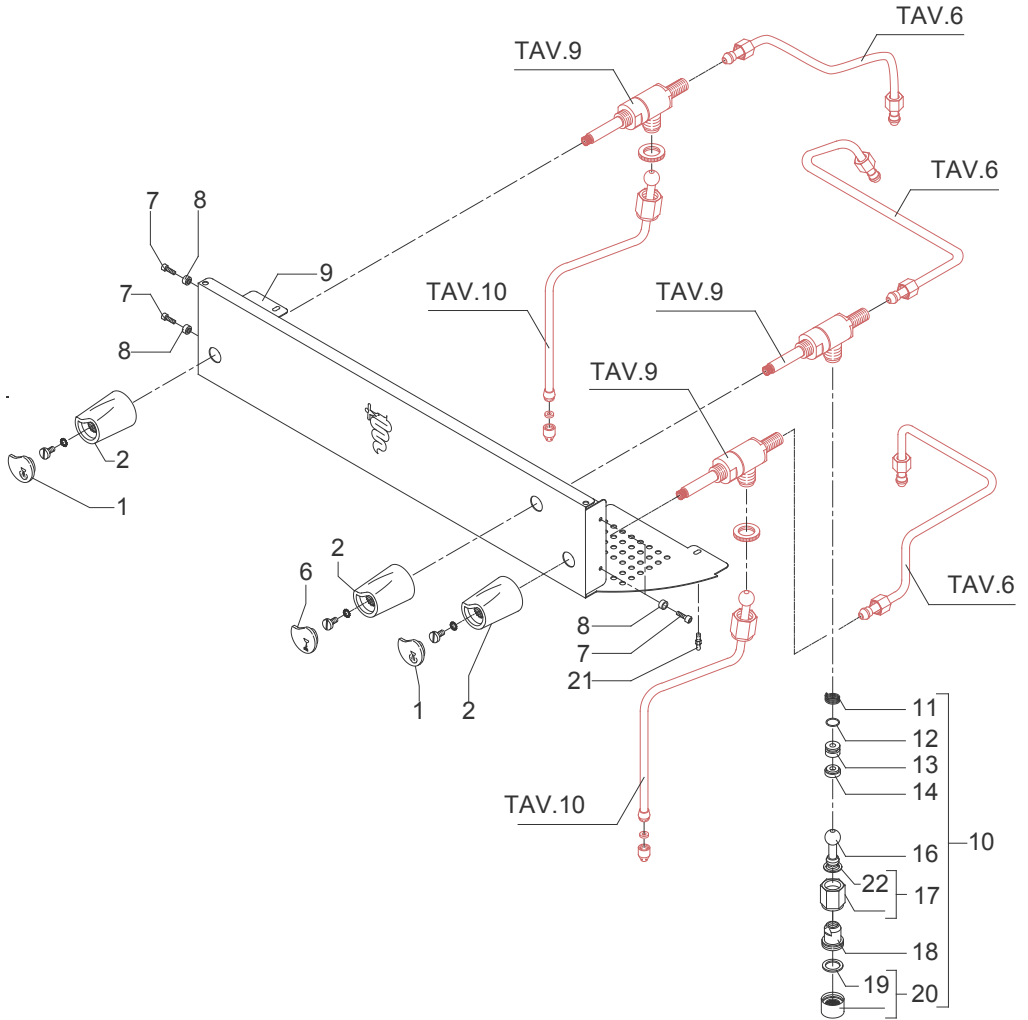
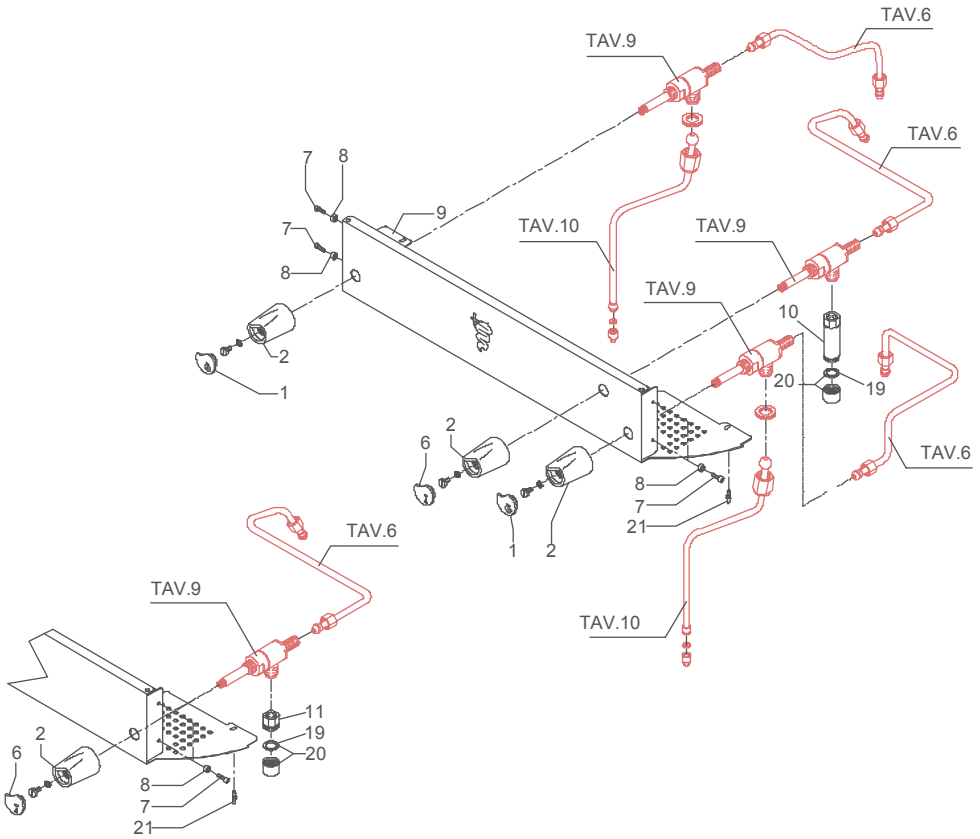






TABLE 7 (from 16.07.09)

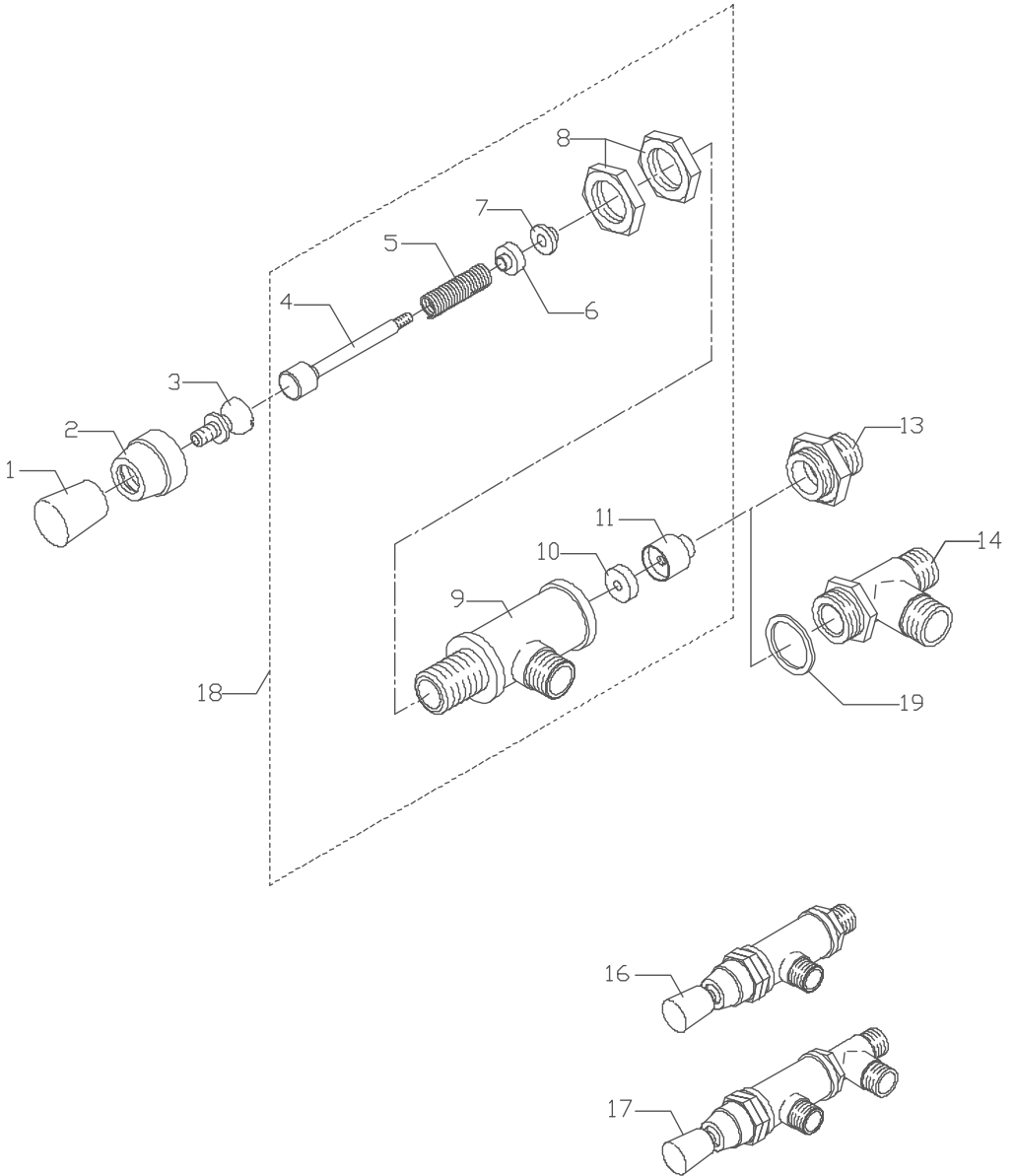




**TABLE 8**

<b>POS</b>	<b>CODE</b>	<b>DESCRIPTION</b>
1	7473603	KNOB M6 BLACK
1	7473606	KNOB M6 GREY
1	7473607	KNOB M6 BLUE
2	5222813CM	RING NUT M18 OT CHROMED
3	5265601	ARTICULATION D14 X 24.5 X M6 AISI 303
4	5260202	SHAFT D12 X 65 AISI 303
5	5471512	SPRING D9.5 H34.5 AISI 302
6	5220603	BUSHING D12 X 7 OT
7	5494004	GASKET D12 X 6 PTFE GRAPHITIZED
8	5221833	NUT M18 ES.26 H5 OT
9	5283019	PUMP BODY OT
10	5493041	GASKET D14 X 4 X 4 EPT70
11	5224607	GASKET-HOLDER D15 X 16.5 OT
13	5225241	FITTING 3/8"G
14	5302508	FITTING 3 WAY 3/8"G
16	5964055	ASSEMBLY PUMP 1 WAY COMPLETE KNOB BLACK
16	5964016	ASSEMBLY PUMP 1 WAY COMPLETE KNOB GREY
16	5964017	ASSEMBLY PUMP 1 WAY COMPLETE KNOB BLUE
17	5964056	ASSEMBLY PUMP 2 WAY COMPLETE KNOB BLACK
17	5964018	ASSEMBLY PUMP 2 WAY COMPLETE KNOB GREY
17	5964019	ASSEMBLY PUMP 2 WAY COMPLETE KNOB BLUE
18	5964058	ASSEMBLY PUMP
19	5495006	COPPER GASKET 20 X 26 X 3

TABLE 8





	POS	CODE	DESCRIPTION
<b>TABLE 9</b>	1	5373908	STEAM PLUG BLUE
	1	5373907	STEAM PLUG GREY
	2	7826202	SCREW TCI M5X10 UNI 6107 OT
	3	7804002	FAN WASHER D6 DIN 6798A
	4	5371805	BLUE KNOB
	4	5371804	GREY KNOB
	6	5221804NC	NUT 3/8"G OT NICKEL-PLATED
	7	7810601	RING D7 UNI 7434 A2
	8	-	FOR MACHINES BUILT UNTIL 02/02/05 SEE POSN. 21
	8	5223402	NUT SCREW (from 03/02/05)
	9	5495001	GASKET D28 X 1 COPPER
	10	-	FOR MACHINES BUILT UNTIL 02/02/05 SEE POSN. 21
	10	5220411	ROD (from 03/02/05)
	11	7496003	OR GASKET 108 VITON (up to 02/02/05)
	11	7496075	OR GASKET 10,82X1,78 (from 03/02/05)
	12	7496002	OR GASKET 115 VITON
	13	-	FOR MACHINES BUILT UNTIL 02/02/05 SEE POSN. 21
	13	5970504.01	GASKET-HOLDER (from 03/02/05)
	14	5493023	TAP GASKET EPT 70SH
	15	7825001	PLAIN WASHER D8 X 4 X 0.8 OT
	16	7822201	CAP NUT M4 OT
17	5283002	TAP BODY OT	
18	5373910	WATER PLUG BLUE	
18	5373909	WATER PLUG GREY	
19	5974010.01	ASSEMBLY WATER TAP BLUE	
19	5974009.01	ASSEMBLY WATER TAP GREY	
20	5974008.01	ASSEMBLY STEAM TAP BLUE	
20	5974007.01	ASSEMBLY STEAM TAP GREY	
21	5976522	TAP KIT FOR MACHINES BUILT UNTIL 02/02/05	

TABLE 9

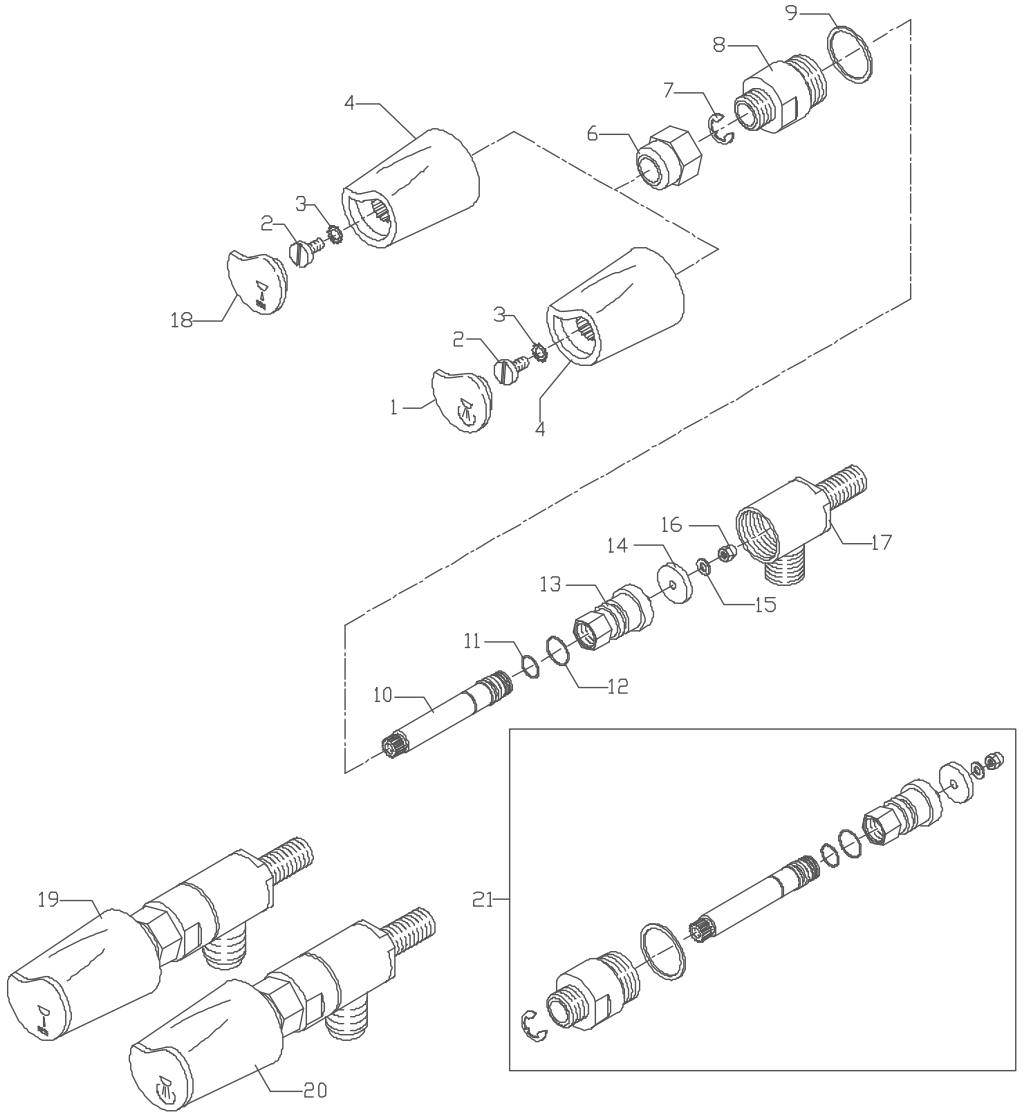
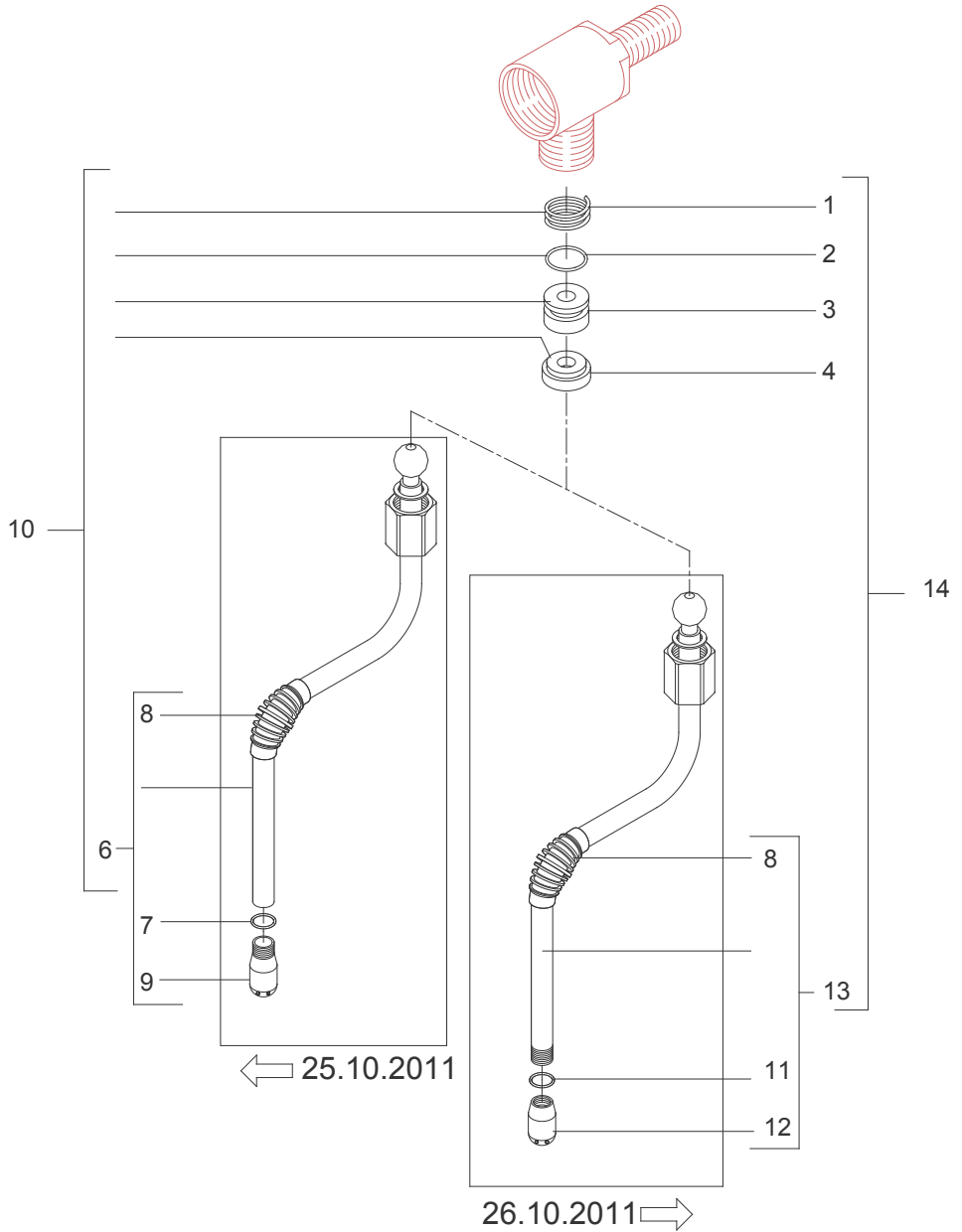




TABLE 10







**TABLE 11 (up to 31.03.10)**

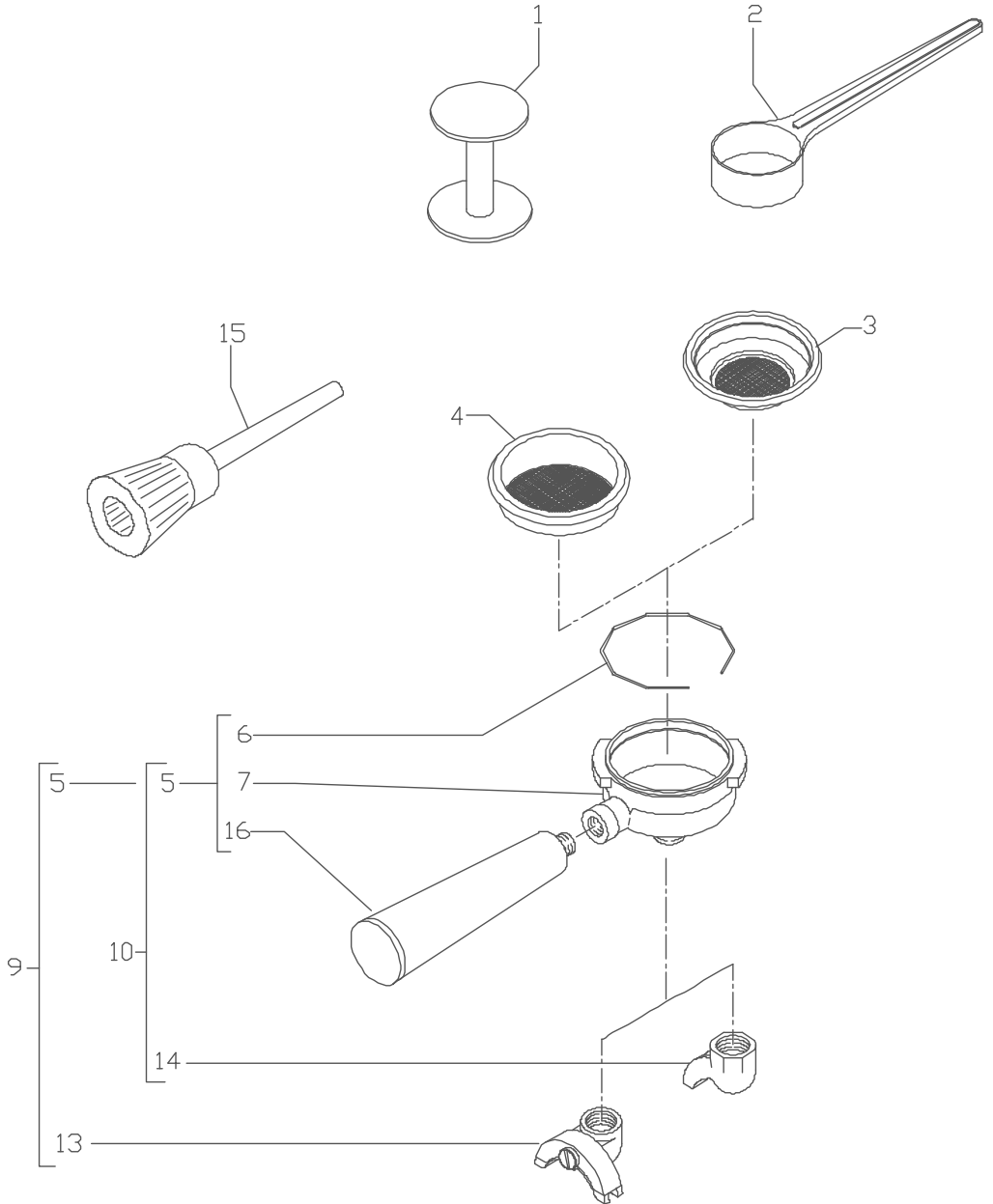
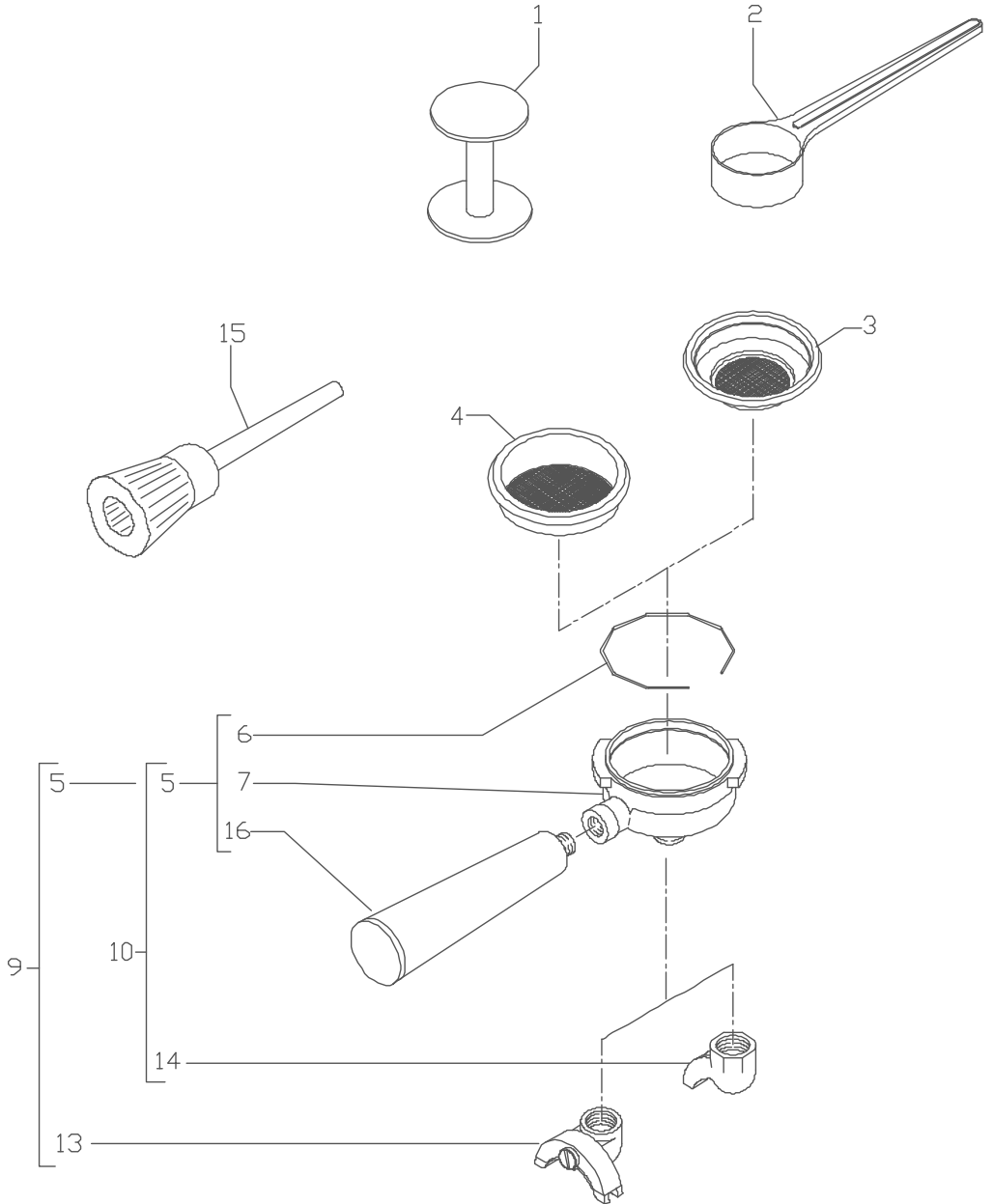


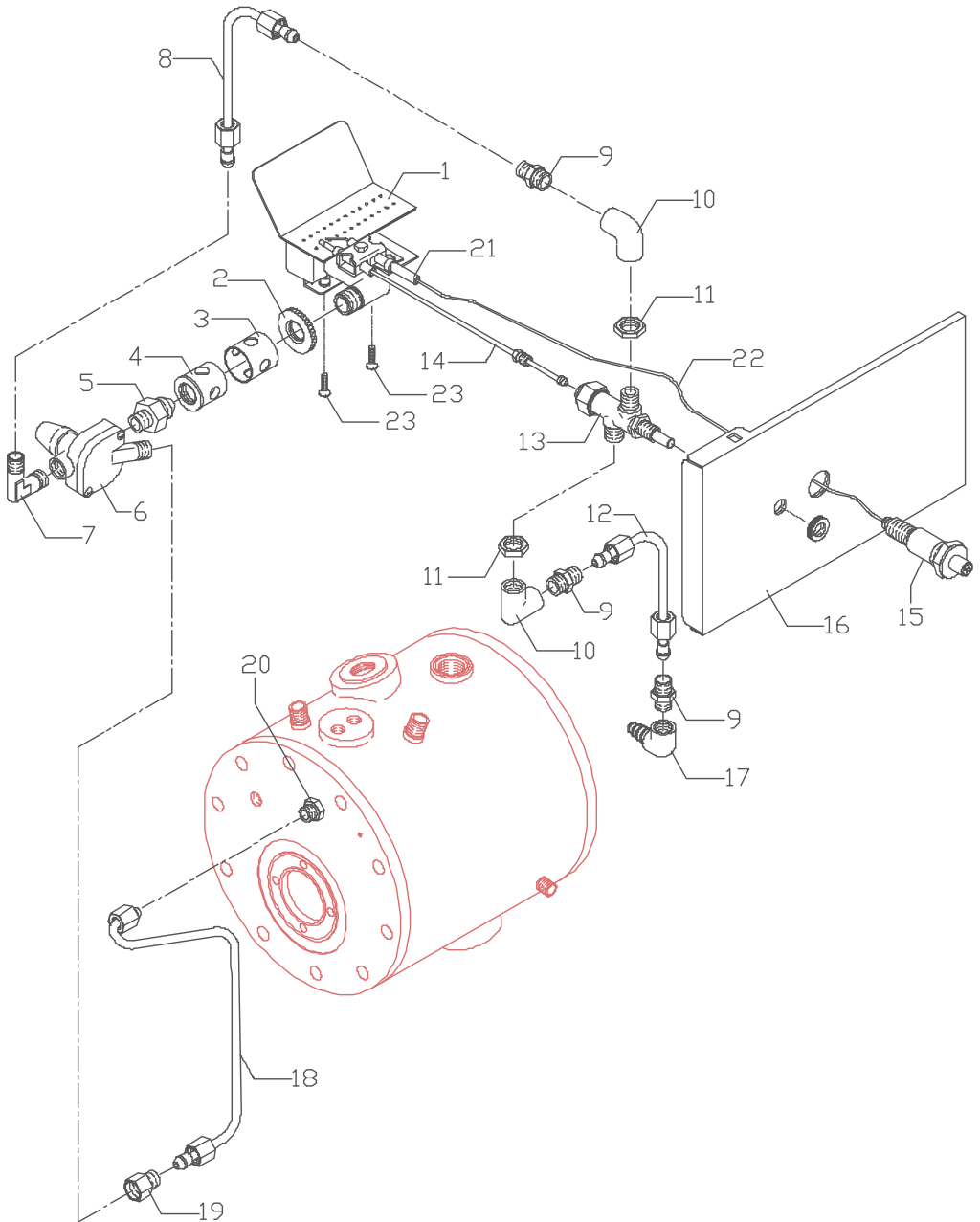


TABLE 11 (from 01.04.10)



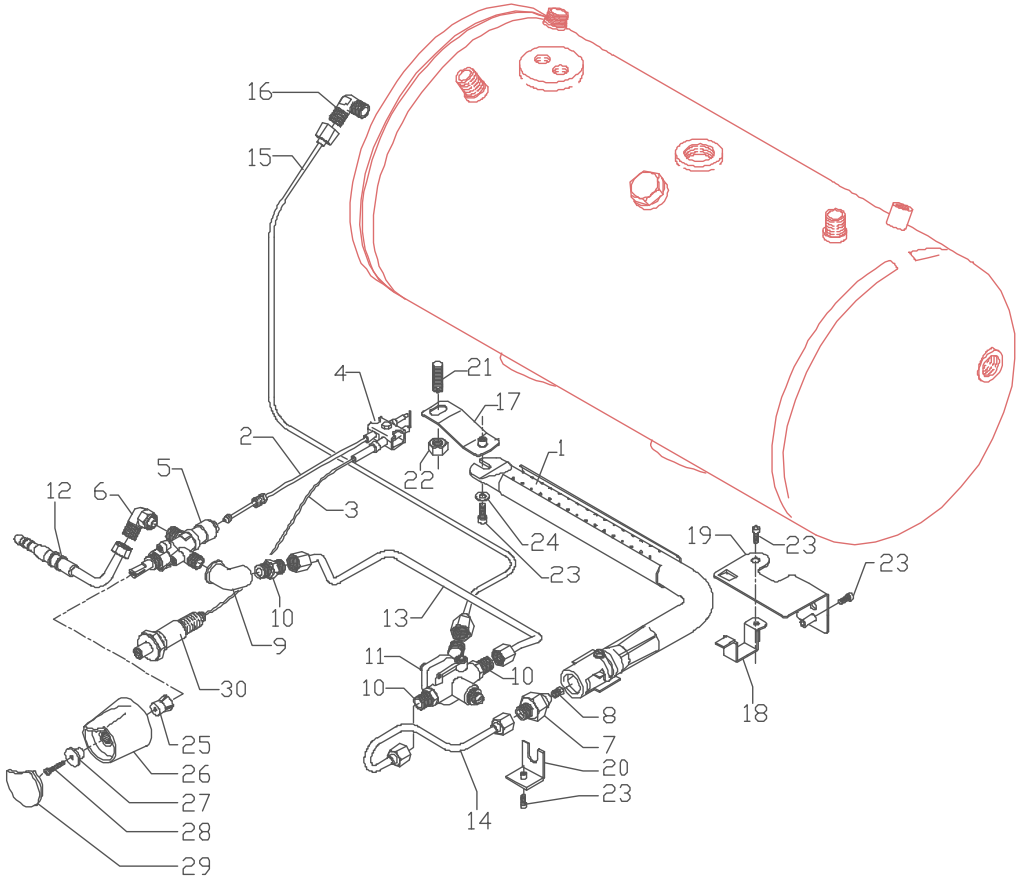
	<b>POS</b>	<b>CODE</b>	<b>DESCRIPTION</b>
<b>GAS 1GR</b>	1	5343004LL	ASSEMBLY BURNER 1GR
	2	5222808	RING NUT 3/8" G H4 OT
	3	5220602	EXTERNAL INTAKE AIR PASSAGE D28 X 25.5
	4	5220601	INTERNAL INTAKE AIR PASSAGE D26 X 27 OT
	5	5223009-04	JET 1/4" G HOLE D0,4 (MOUNTED)
	5	5223009-05	JET 1/4" G HOLE D0,5 (SUPPLIED)
	6	7402410	GAS RG10 REGULATOR
	7	5301512	UNION ELBOW M12 X 1/4" GAS
	8	5162172LL	REGULATOR-JET HOSE
	9	5302009	STRAIGHT FITTING M12 X 1/4" G H24 OT
	10	5301518	UNION ELBOW 1/4" G
	11	5221821	NUT 1/4" G H5 OT
	12	5162173LL	INLET GAS HOSE 1GR
	13	7403601	VALVE M1 WITH RING NUT
	14	7403001	THERMOCOUPLE
	15	7400302	PIEZO IGNITION WITH NUT
	16	5094355LW	GROUP FRONTAL 1GR
	17	5224405	RUBBER-HOLDER 1/4" D12 OT
	18	5162171LL	BOILER-REGULATOR HOSE 1GR LEVER
	19	5302029	REDUCTION GEAR 1/4" G X M12 ES.16 H22 OT
	20	5302010	STRAIGHT FITTING M12 X M10 OT
	21	7400301	CANDLE
	22	7401205	ELECTRIC CABLE
23	7819901	SCREW TTEI M4X12	

**GAS 1GR**



	POS	CODE	DESCRIPTION
<b>GAS 2GR</b>	1	7400600	BURNER 2GR
	2	7403003	THERMOCOUPLE L=600
	3	7400305	IGNITION CANDLE
	4	5479917	CLIPS
	5	7403602	TAP
	6	7303023LL	UNION ELBOW
	7	5224413	INJECTOR-HOLDER
	8	7303024	INJECTOR Ø 0,6 (MOUNTED)
	8	7303025	INJECTOR Ø 0,8 (SUPPLIED)
	9	5301518	UNION ELBOW 1/4"G
	10	5302009	STRAIGHT FITTING M12 X 1/4"G H24 OT
	11	7402410	GAS RG10 REGULATOR
	12	5163211LL	RUBBER-HOLDER HOSE
	13	5162252LL	REGULATOR TAP HOSE
	14	5162249.01LL	REGULATOR-JET/BURNER HOSE
	15	5161018LL	BOILER-REGULATOR HOSE
	16	5301504TR	UNION ELBOW 1/8"G X M12
	17	5037824LL	LEFT SUPPORT
	18	5037825LL	BURNER HOLDER
	19	5037826LL	RIGHT SUPPORT
	20	5037823LL	BURNER SUPPORT
	21	5267012	TIE ROD M10 X 33 ASTM A193
	22	7812608	NUT M10 UNI 5587 ASTM A194
	23	7816002	SCREW TCEI M4X12
	24	7809804	PLAIN WASHER D4
	25	7473032	KNOB INSERT
	26	5371806	SWITCH KNOB D42 GREY
	26	5371807	SWITCH KNOB D42 BLUE
	27	5220816	KNOB BUSHING
	28	7818203	TAPPING SCREW TCTC 3,9X16
29	5373923	SHAPED PLUG GREY	
29	5373924	SHAPED PLUG BLUE	
30	7400302	PIEZO IGNITION	

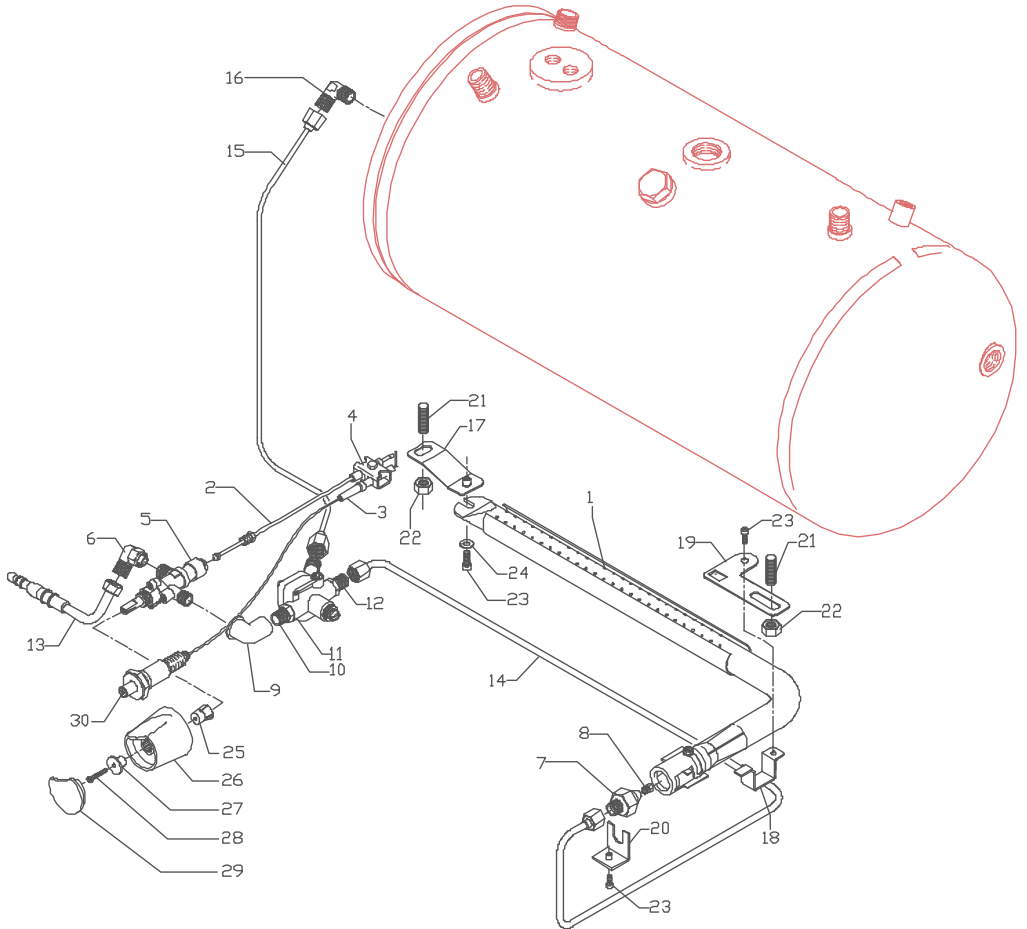
**GAS 2GR**



	<b>POS</b>	<b>CODE</b>	<b>DESCRIPTION</b>
<b>GAS 3GR</b>	1	7400601	BURNER 3GR
	2	7403003	THERMOCOUPLE L=600
	3	7400305	IGNITION CANDLE
	4	5479917	CLIPS
	5	7403602	TAP
	6	7303023LL	UNION ELBOW
	7	5224413	INJECTOR-HOLDER
	8	7303025	INJECTOR Ø 0,8 (MOUNTED)
	8	7303026	INJECTOR Ø 1,1 (SUPPLIED)
	9	5301518	UNION ELBOW 1/4"G
	10	7304524	FITTING 1/4"G
	11	7402410	GAS RG10 REGULATOR
	12	5302009	STRAIGHT FITTING M12 X 1/4"G H24 OT
	13	5163211LL	RUBBER-HOLDER HOSE
	14	5162250LL	REGULATOR-JET/BURNER HOSE
	15	5161017LL	BOILER-REGULATOR HOSE
	16	5301504TR	UNION ELBOW 1/8"G X M12
	17	5037824LL	LEFT SUPPORT
	18	5037825LL	BURNER HOLDER
	19	5037827	RIGHT SUPPORT
	20	5037823LL	BURNER SUPPORT
	21	5267012	TIE ROD M10 X 33 ASTM A193
	22	7812608	NUT M10 UNI 5587 ASTM A194
	23	7816002	SCREW TCEI M4X12
	24	7809804	PLAIN WASHER D4
	25	7473032	KNOB INSERT
	26	5371806	SWITCH KNOB D42 GREY
	26	5371807	SWITCH KNOB D42 BLUE
	27	5220816	KNOB BUSHING
	28	7818203	TAPPING SCREW TCTC 3,9X16
29	5373923	SHAPED PLUG GREY	
29	5373924	SHAPED PLUG BLUE	
30	7400302	PIEZO IGNITION	

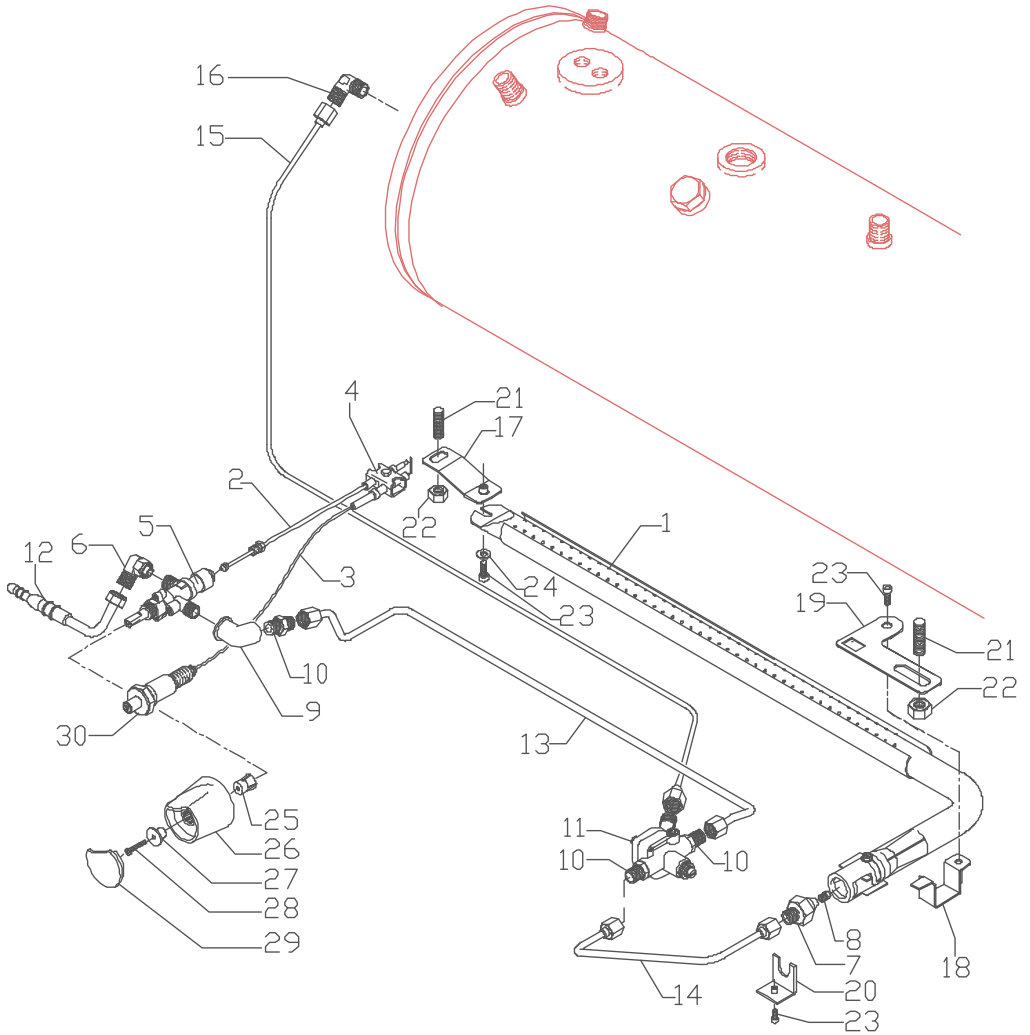


**GAS 3GR**



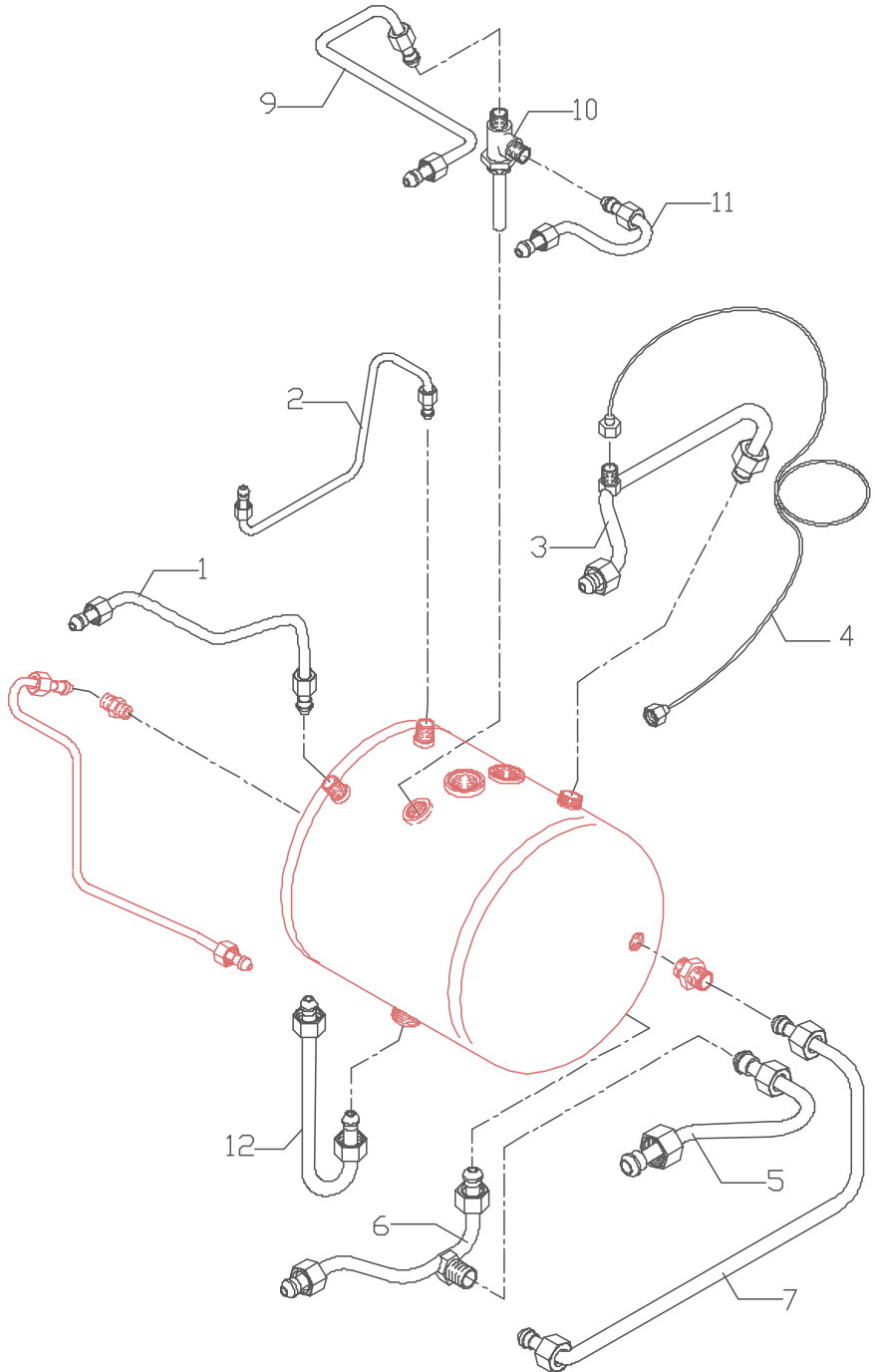
	<b>POS</b>	<b>CODE</b>	<b>DESCRIPTION</b>
<b>GAS 4GR</b>	1	7400602	BURNER 4GR
	2	7403004	THERMOCOUPLE L=600
	3	7400305	IGNITION CANDLE
	4	5479917	CLIPS
	5	7403602	TAP
	6	7303023LL	UNION ELBOW
	7	5224413	INJECTOR-HOLDER
	8	7303027	INJECTOR Ø 1,0 (MOUNTED)
	8	7303028	INJECTOR Ø 1,5 (SUPPLIED)
	9	5301518	UNION ELBOW 1/4"G
	10	5302009	STRAIGHT FITTING M12 X 1/4"G H24 OT
	11	7402410	GAS RG10 REGULATOR
	12	5163211LL	RUBBER-HOLDER HOSE
	13	5162251LL	REGULATOR TAP HOSE
	14	5162249.01LL	REGULATOR-JET/BURNER HOSE
	15	5161016LL	BOILER-REGULATOR HOSE
	16	5301504TR	UNION ELBOW 1/8"G X M12
	17	5037824LL	LEFT SUPPORT
	18	5037825LL	BURNER HOLDER
	19	5037827	RIGHT SUPPORT
	20	5037823LL	BURNER SUPPORT
	21	5267012	TIE ROD M10 X 33 ASTM A193
	22	7812608	NUT M10 UNI 5587 ASTM A194
	23	7816002	SCREW TCEI M4X12
	24	7809804	PLAIN WASHER D4
	25	7473032	KNOB INSERT
	26	5371806	SWITCH KNOB D42 GREY
	26	5371807	SWITCH KNOB D42 BLUE
	27	5220816	KNOB BUSHING
	28	7818203	TAPPING SCREW TCTC 3,9X16
29	5373923	SHAPED PLUG GREY	
29	5373924	SHAPED PLUG BLUE	
30	7400302	PIEZO IGNITION	

GAS 4GR



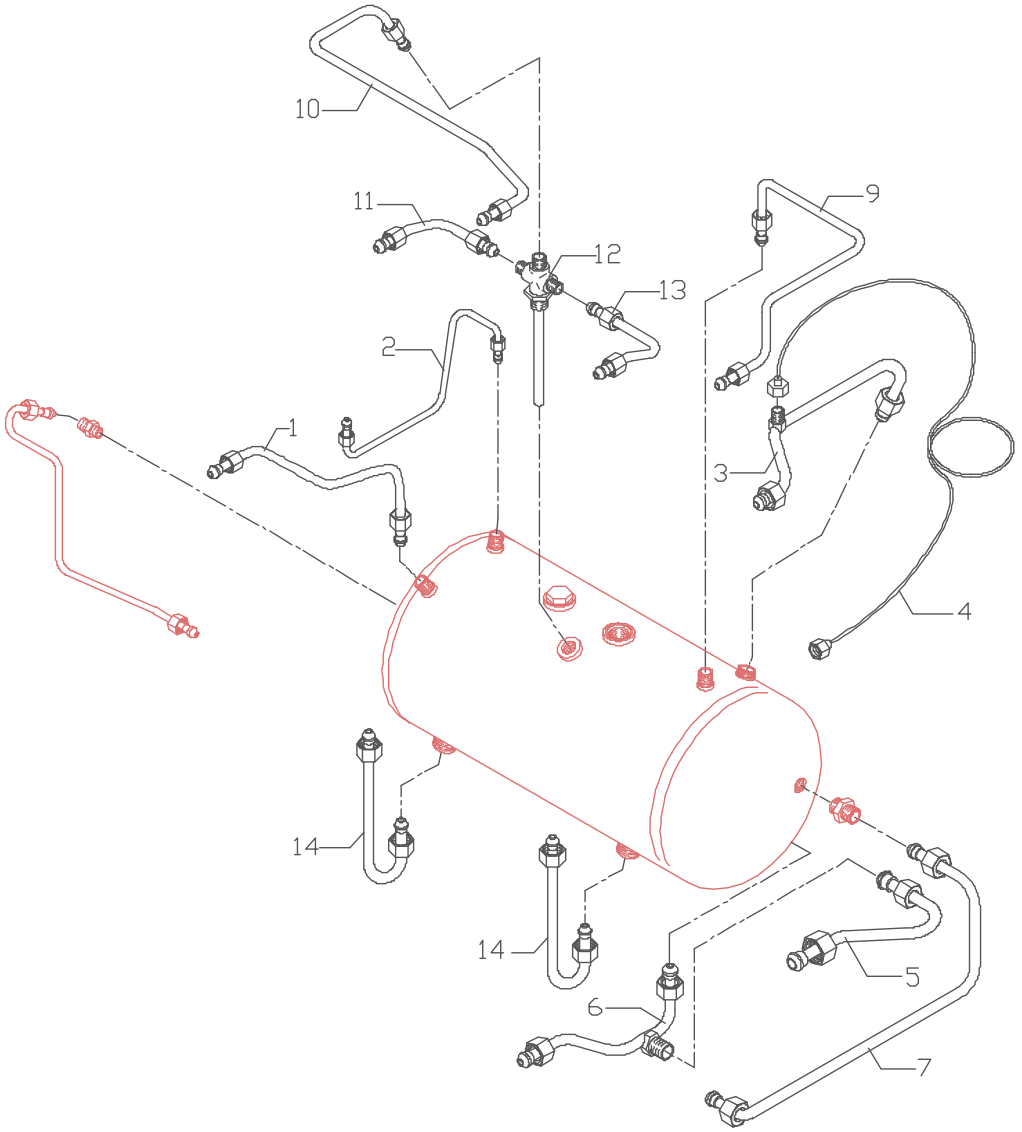


Hose series 1GR





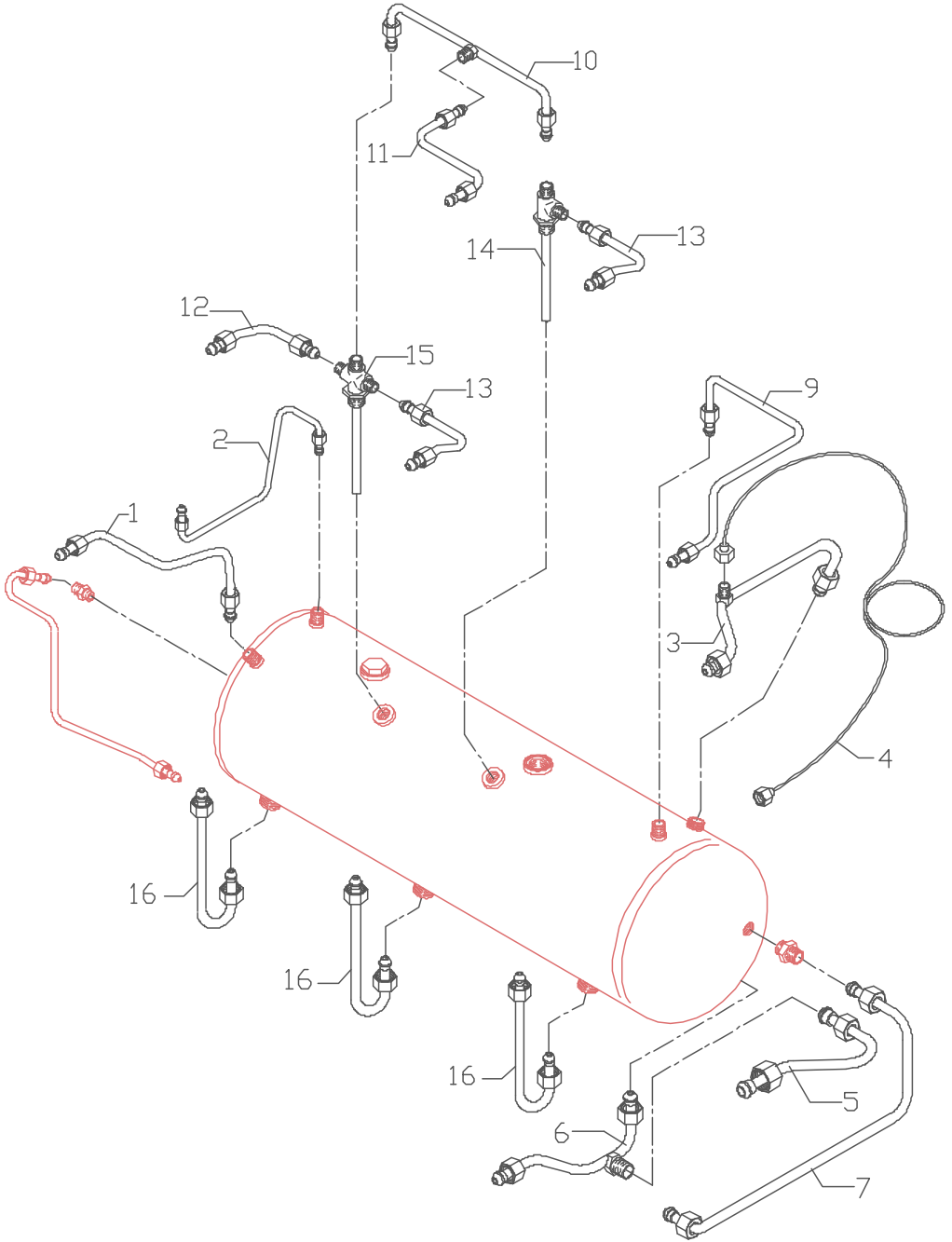
Hose series 2GR





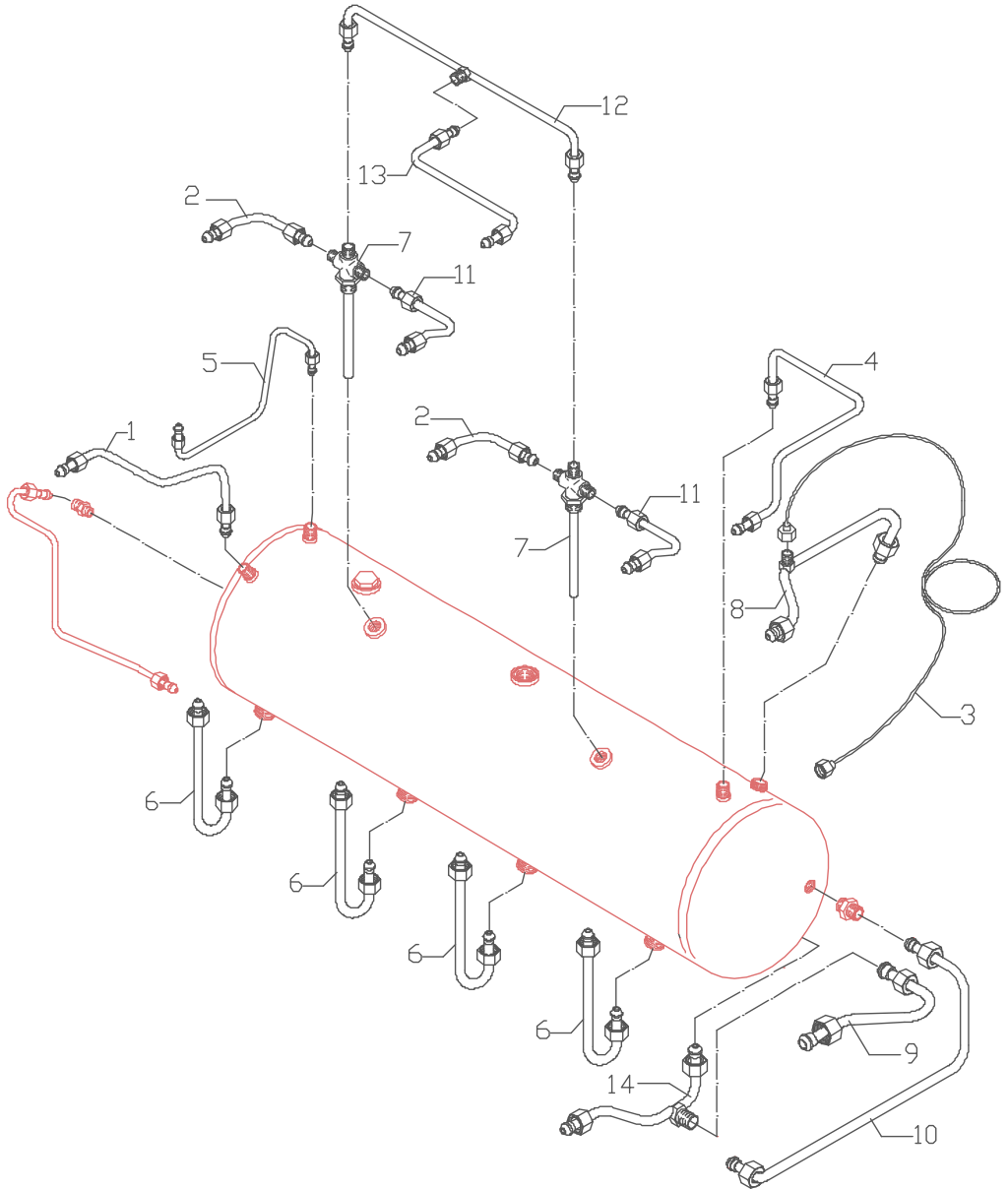


Hose series 3GR





Hose series 4GR





**BEZZERA**

**Dal 1901**

G.BEZZERA

MACCHINE PER CAFFE' ESPRESSO

Via Luigi Bezzera,1

20088 Rosate - Milano - Italy

Tel. ++39 02 90848102 r.a. - Telefax ++39 02 90870287

Web: [www.g.bezzera.it](http://www.g.bezzera.it)

e-mail: [commerciale@bezzera.it](mailto:commerciale@bezzera.it)